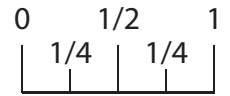
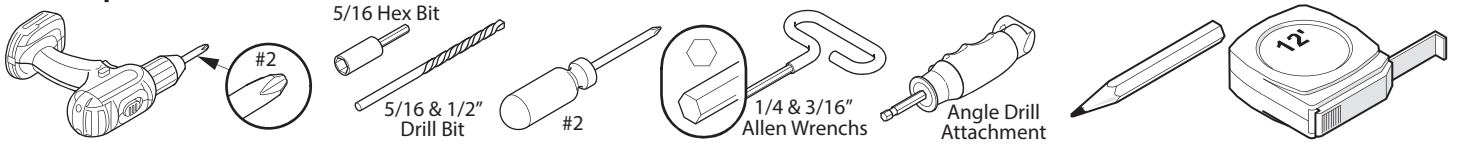


BE_HOLD™
OSU/Nook & Stanchion Assembly
Installation Instructions

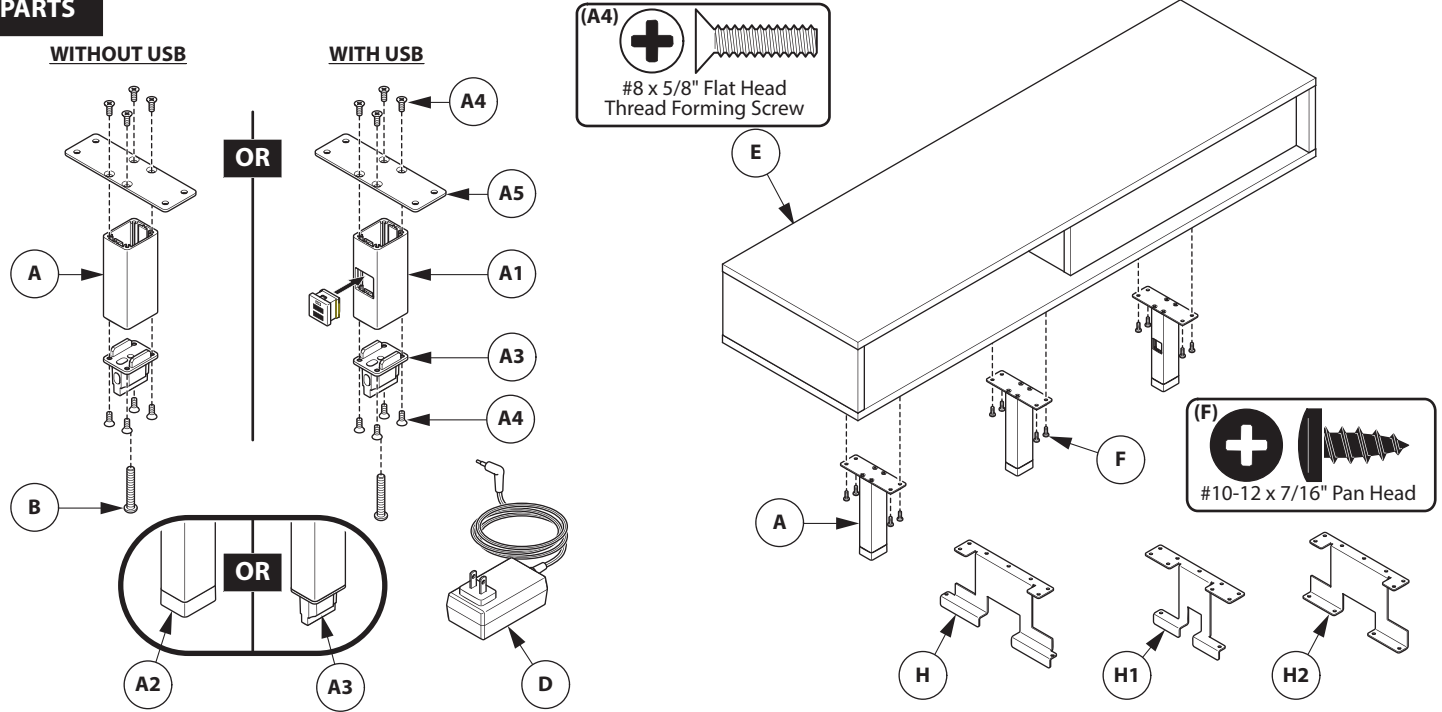


Scale 1 : 1

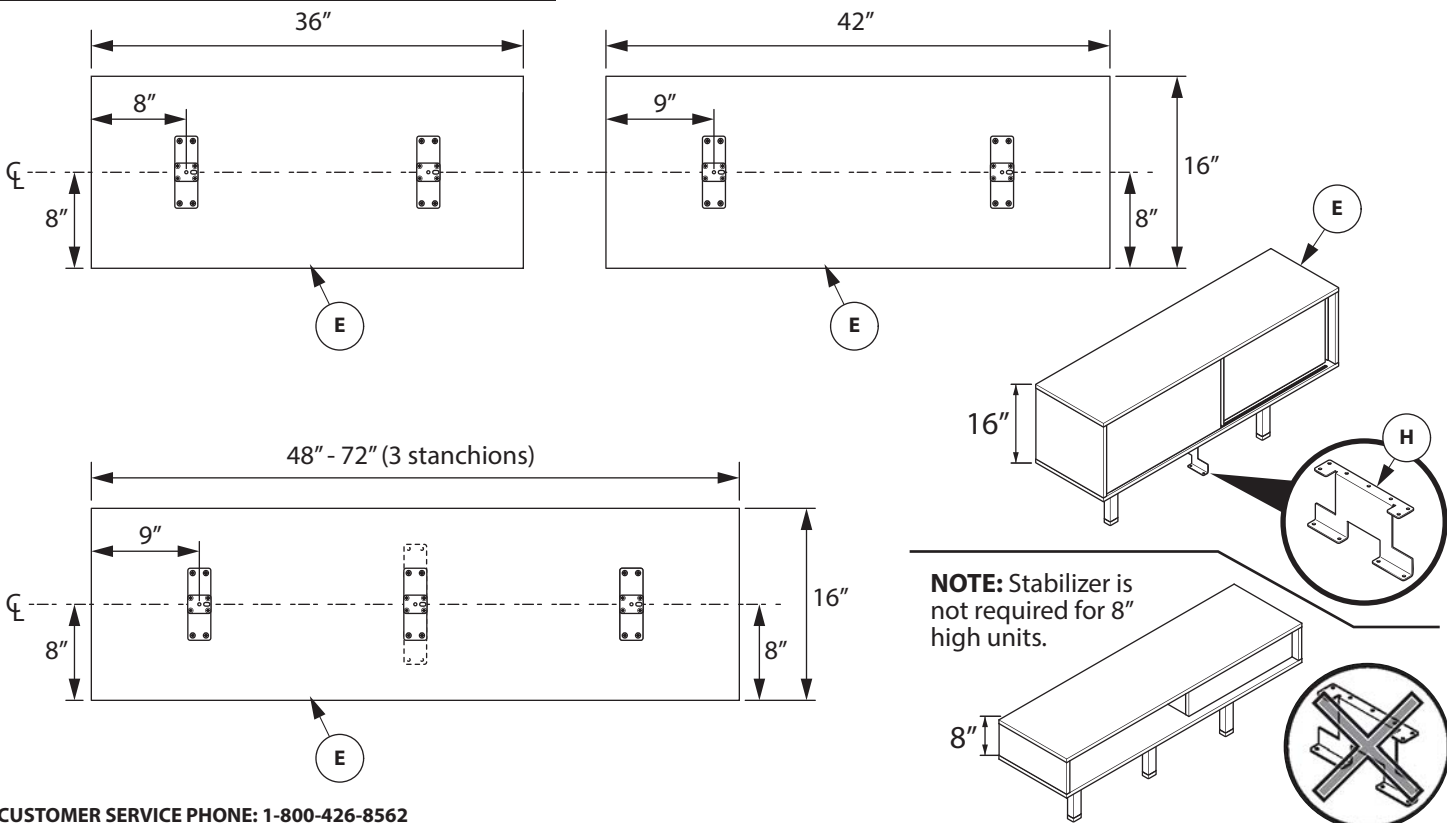
Tools Required



PARTS



STANCHION/SUPPORT LOCATION FOR NOOK



NOTE: Stabilizer is not required for 8" high units.

CUSTOMER SERVICE PHONE: 1-800-426-8562

HAWORTH®

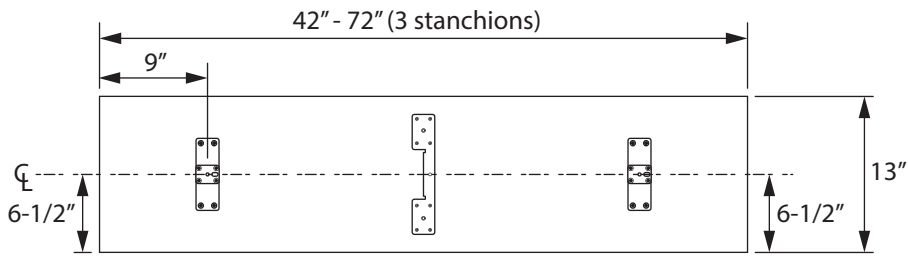
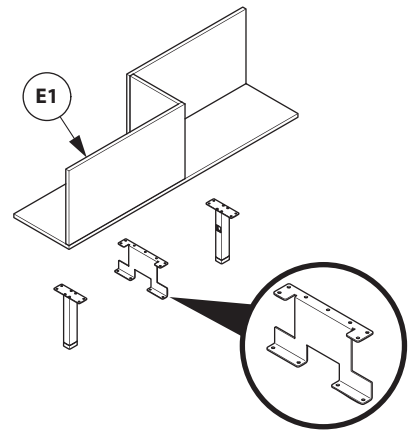
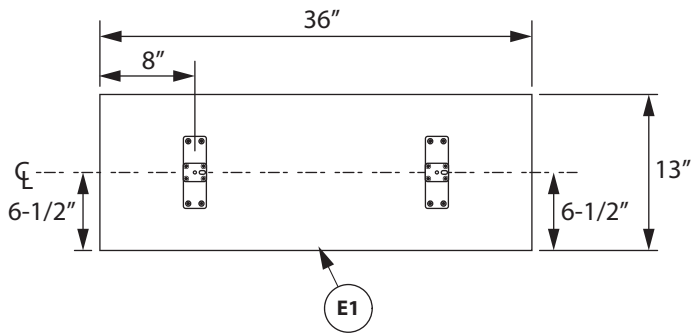
E.C.O. No: 781-431

Page: 1 of 13

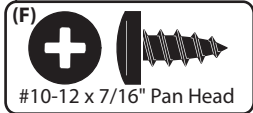
Part No: 6100-0126

Rev: 1

STANCHION/SUPPORT LOCATION FOR SHELF

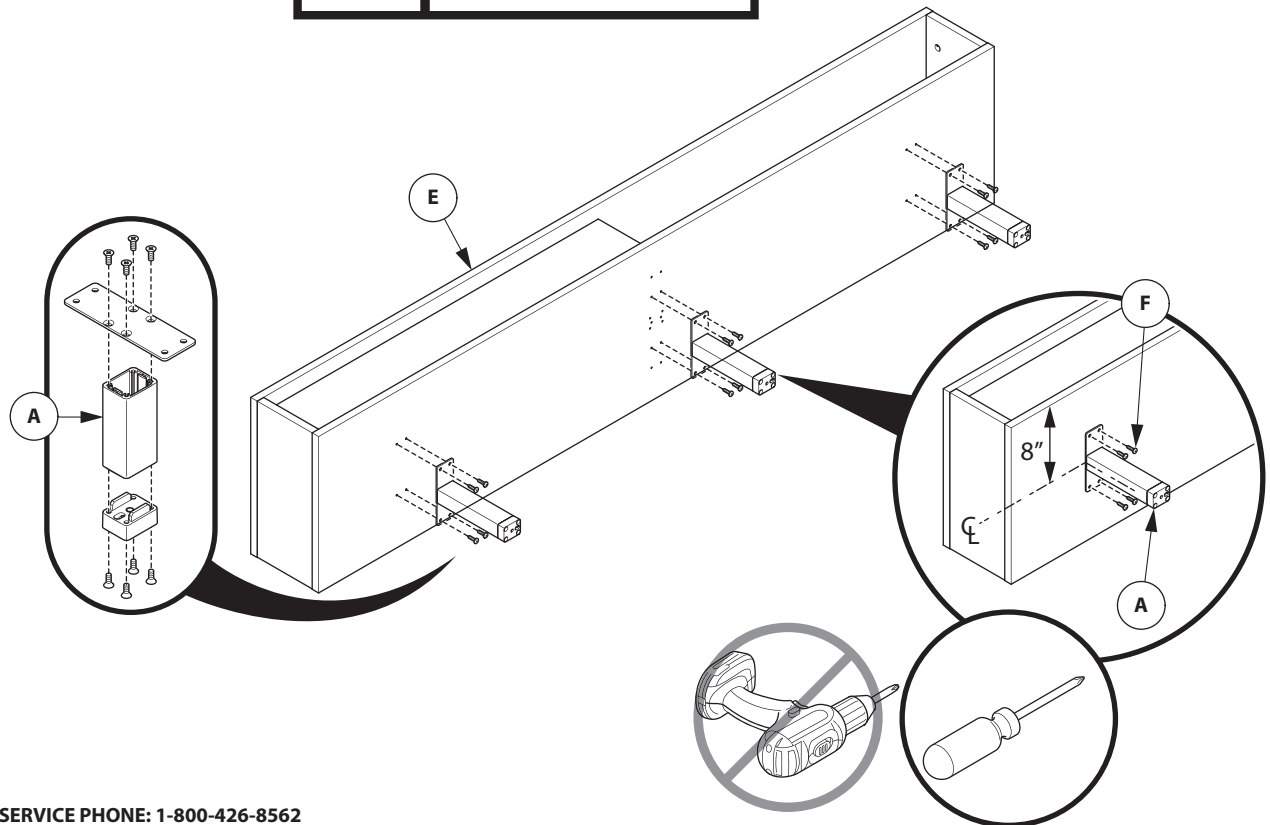


1



⚠ IMPORTANT

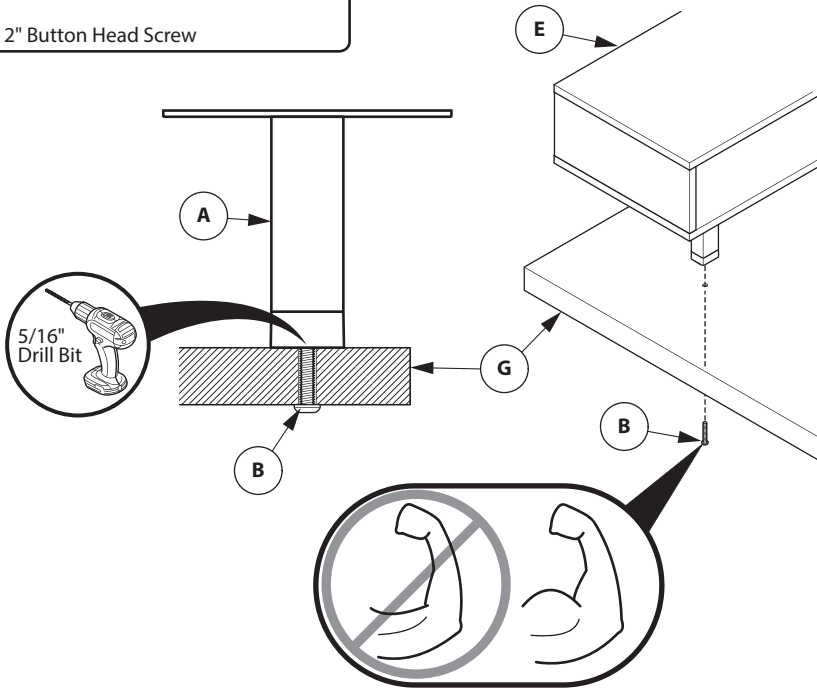
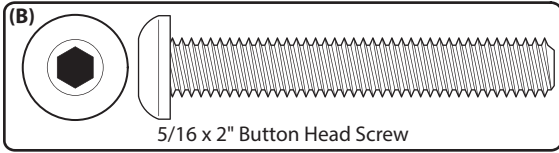
⚠ ALL SCREWS (F) MUST BE INSTALLED BY HAND! (VERY LOW TORQUE)



CUSTOMER SERVICE PHONE: 1-800-426-8562

WORKSURFACE MOUNTING

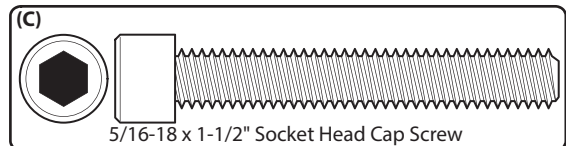
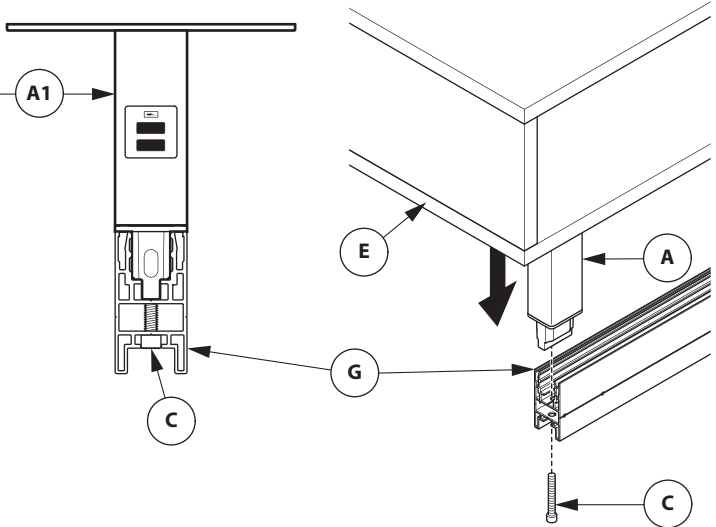
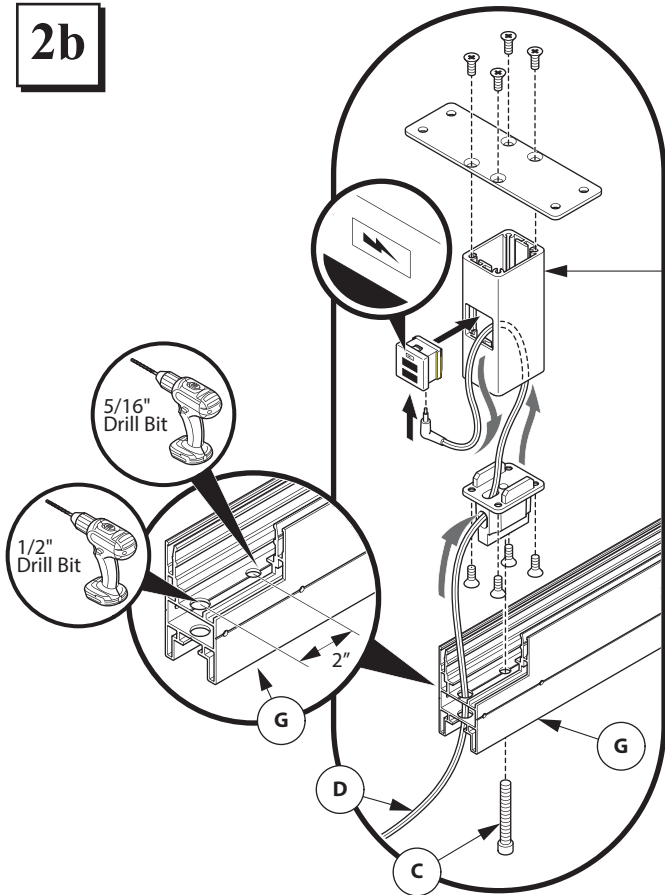
2a



OR

INTUITY RAIL MOUNTING

2b



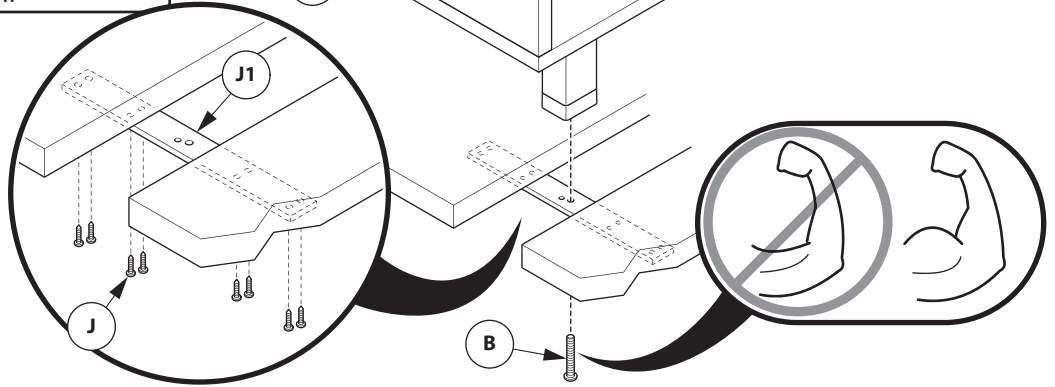
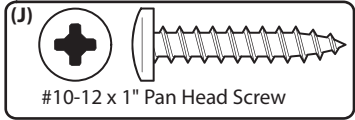
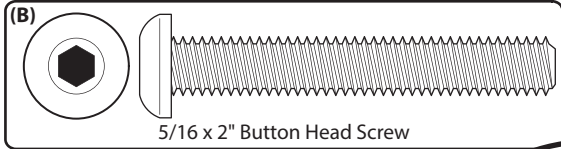
CUSTOMER SERVICE PHONE: 1-800-426-8562

RESIDE MOUNTING

2c

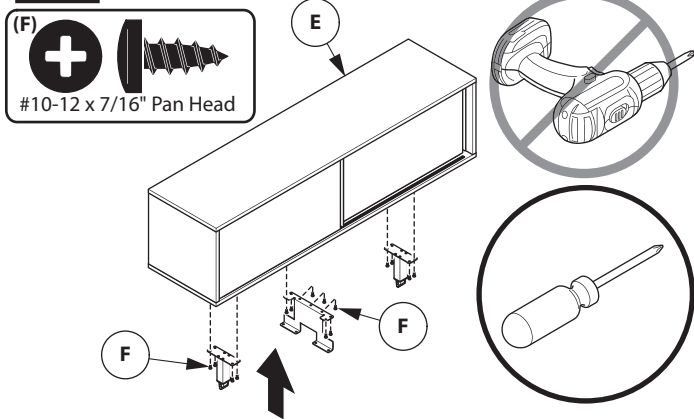
! IMPORTANT

! ALL SCREWS (F) MUST BE INSTALLED BY HAND! (VERY LOW TORQUE)

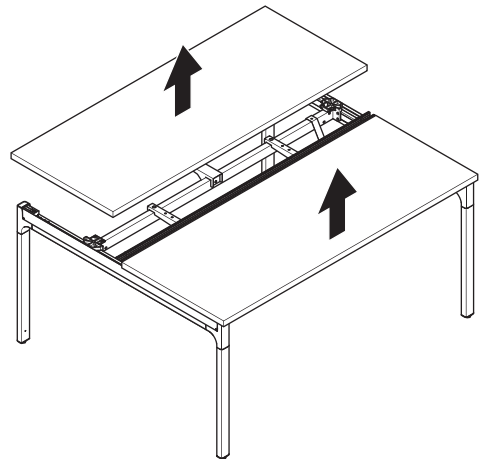


INTUITY - STABILIZER BRACKET (OPTIONS) AND ASSEMBLY ORDER

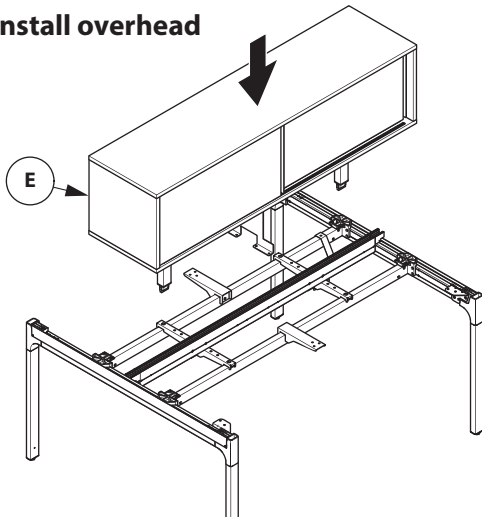
1 Attach stanchion's and stabilizer brackets



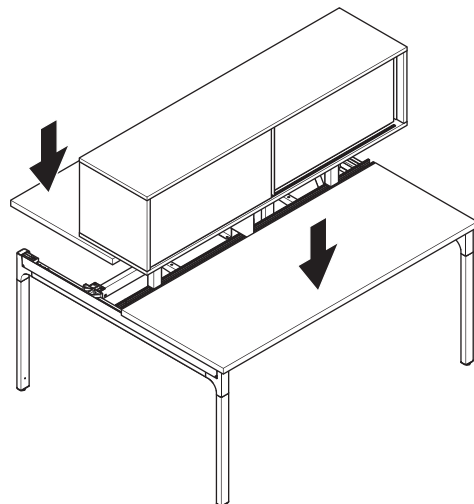
2 Remove worksurfaces



3 Install overhead

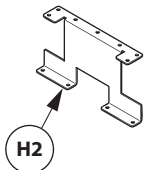


4 Reinstall worksurfaces



CUSTOMER SERVICE PHONE: 1-800-426-8562

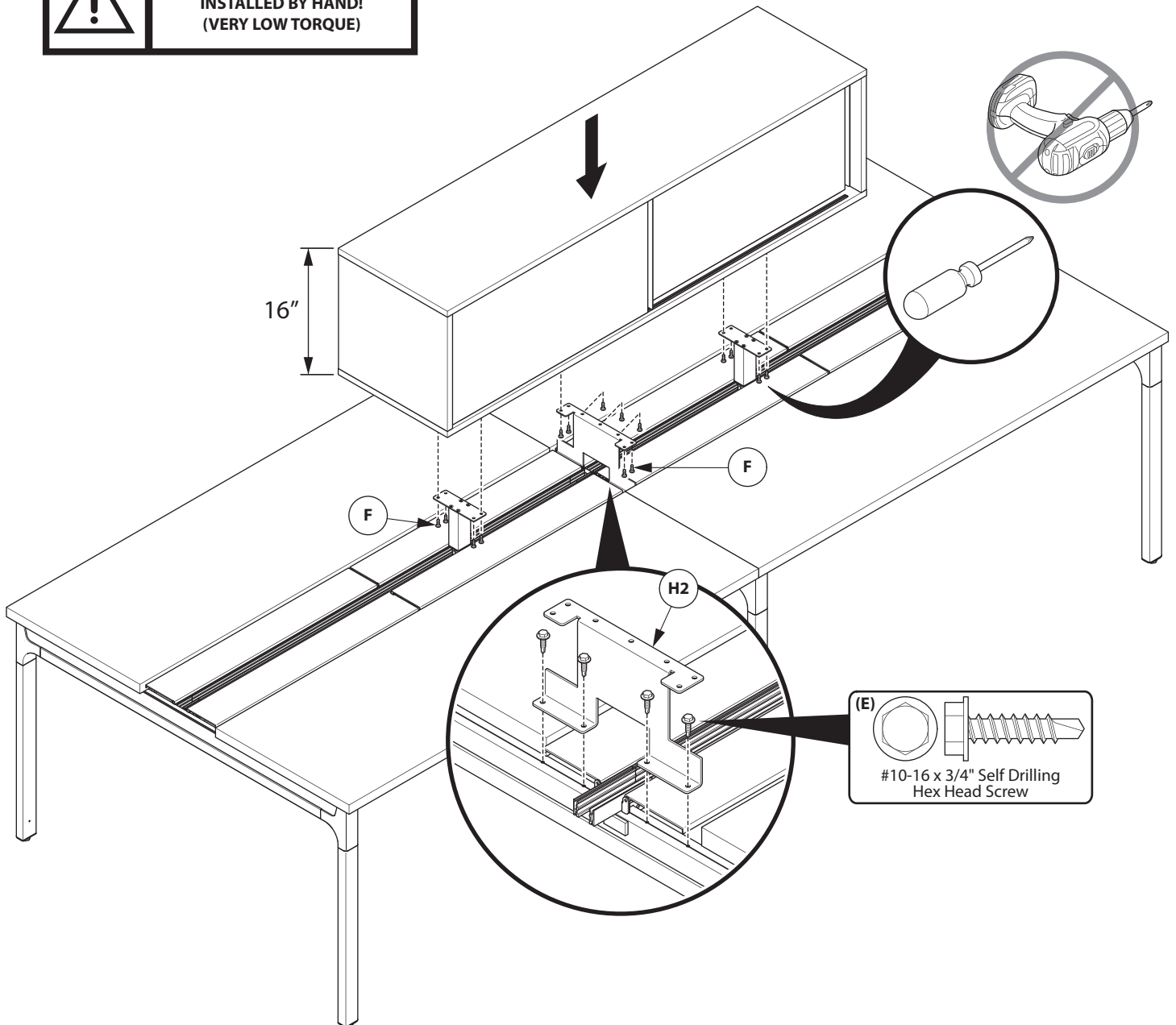
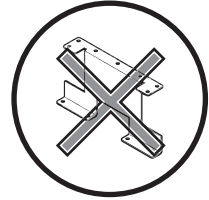
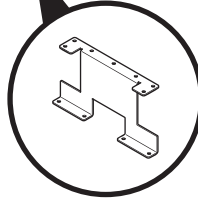
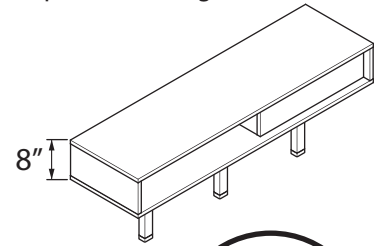
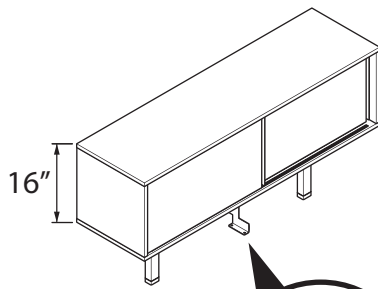
STABILIZER BRACKET (OPTIONS)



▲ IMPORTANT

▲ ! ALL SCREWS (F) MUST BE INSTALLED BY HAND! (VERY LOW TORQUE)

NOTE: Stabilizer is not required for 8" high units.



CUSTOMER SERVICE PHONE: 1-800-426-8562

HAWORTH®

E.C.O. No: 781-431

Page: 5 of 13

Part No: 6100-0126

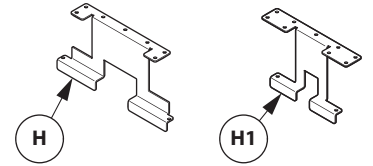
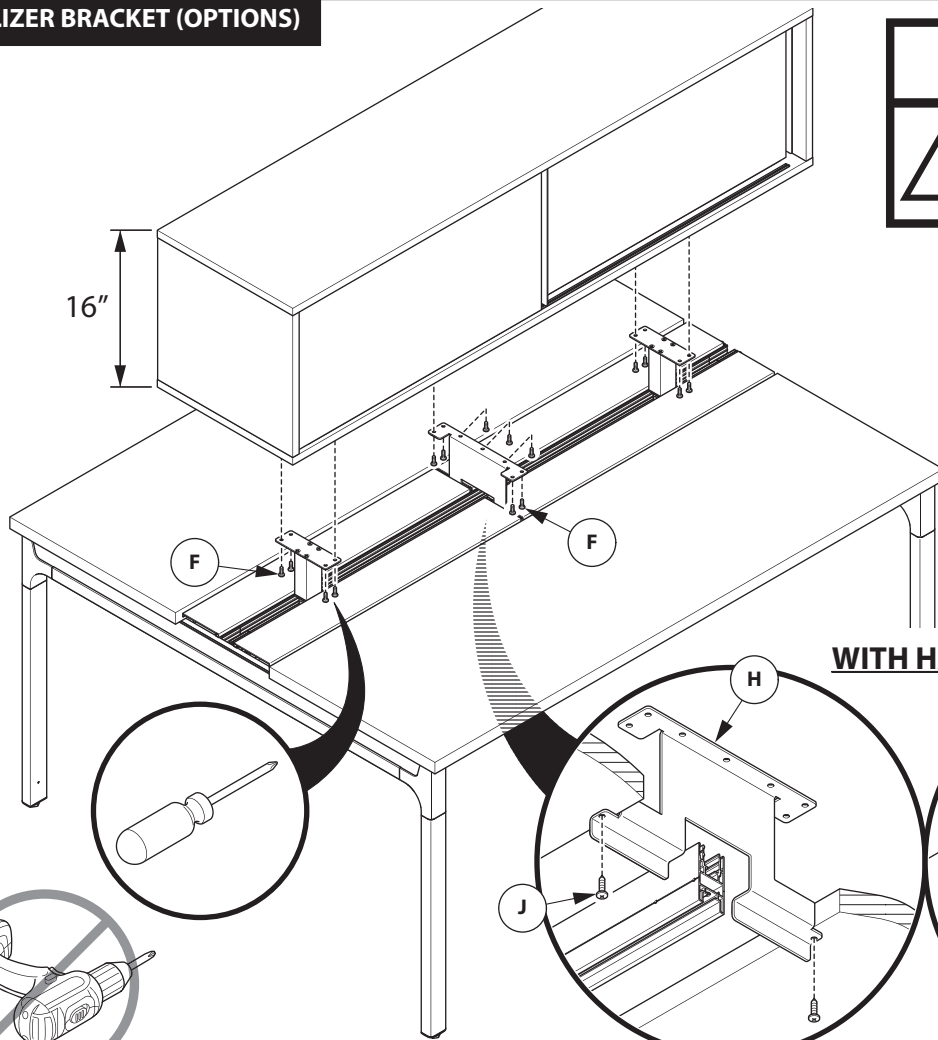
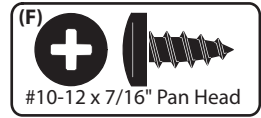
Rev: 1

STABILIZER BRACKET (OPTIONS)

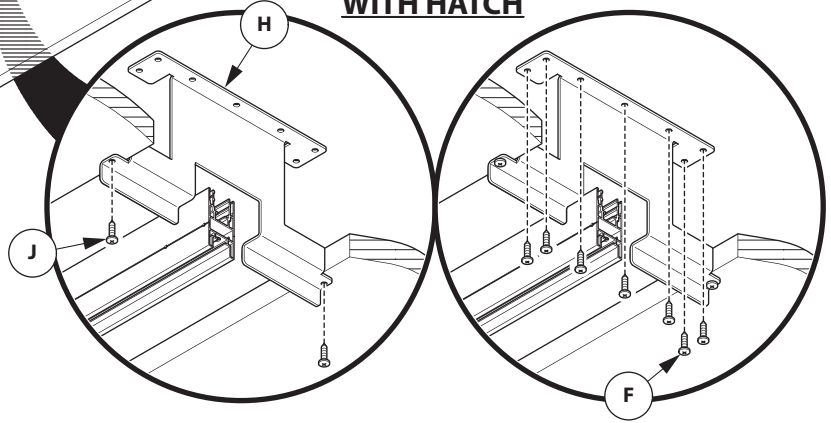
⚠ IMPORTANT



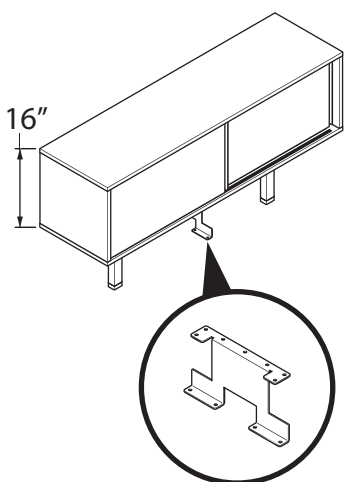
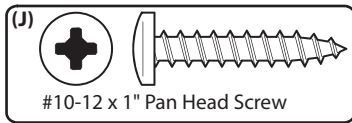
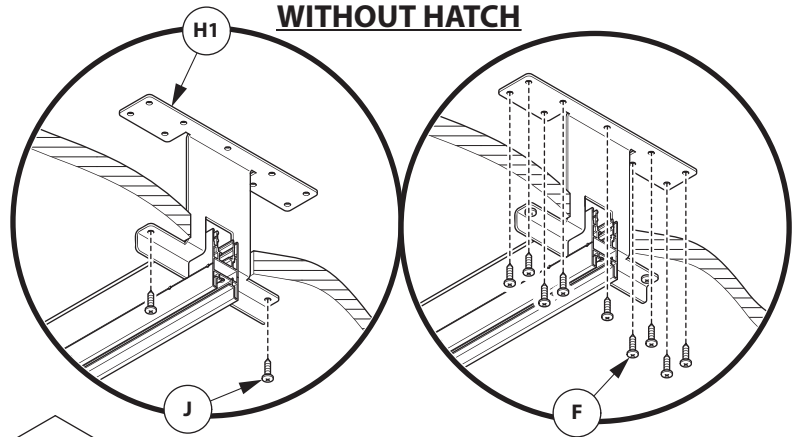
ALL SCREWS (F) MUST BE INSTALLED BY HAND! (VERY LOW TORQUE)



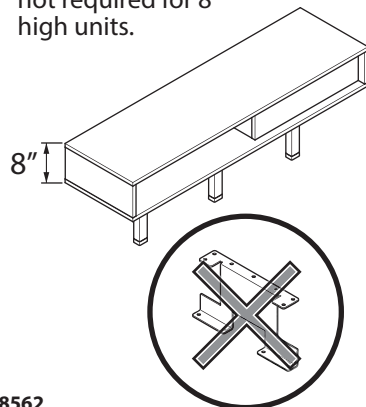
WITH HATCH



WITHOUT HATCH



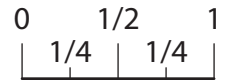
NOTE: Stabilizer is not required for 8" high units.



NOTE: Any screw added must have a clearance/pilot hole where applicable.

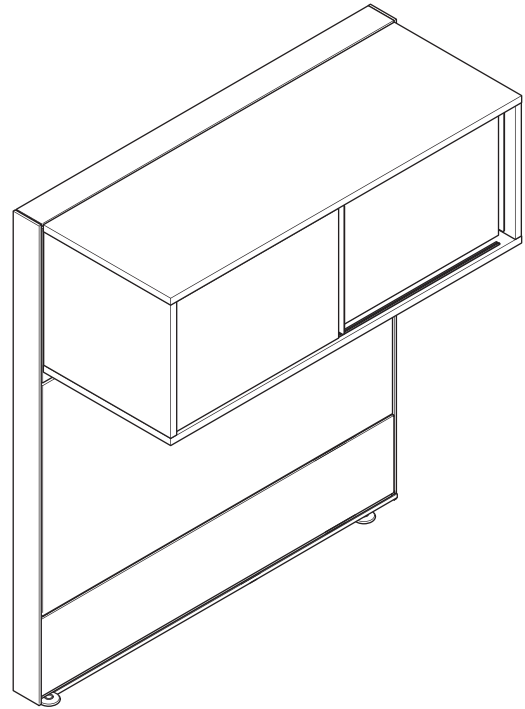
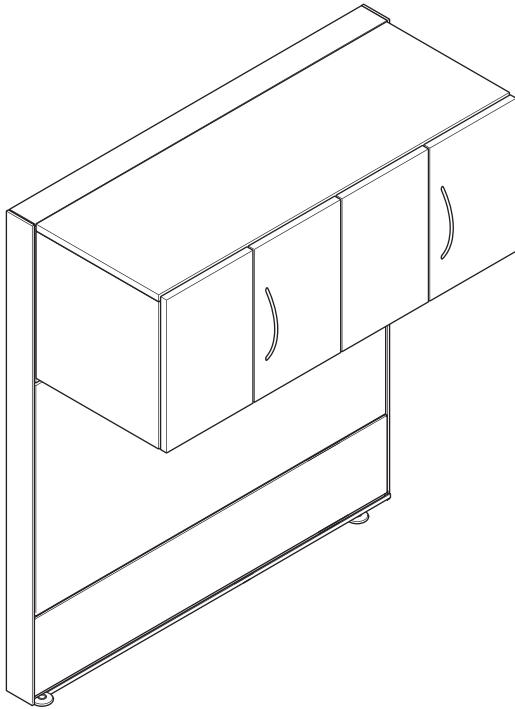
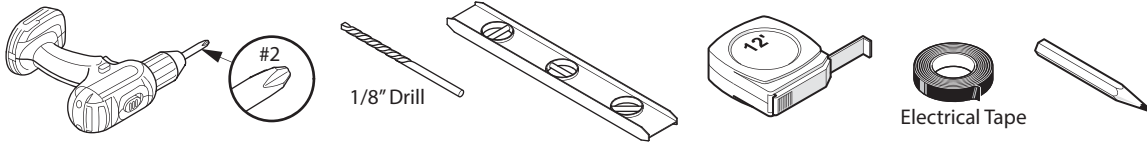
CUSTOMER SERVICE PHONE: 1-800-426-8562

BEHOLD®
Overhead Storage Units
 Installation Instructions



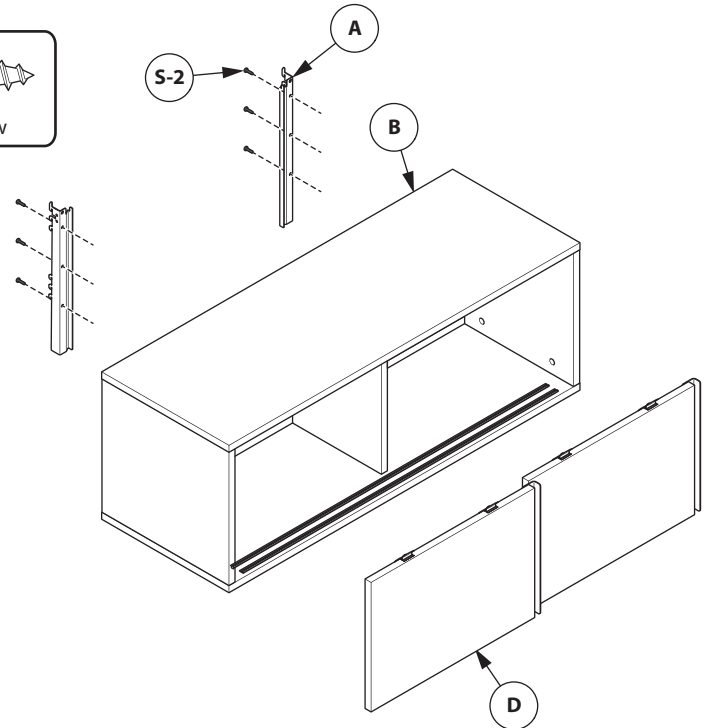
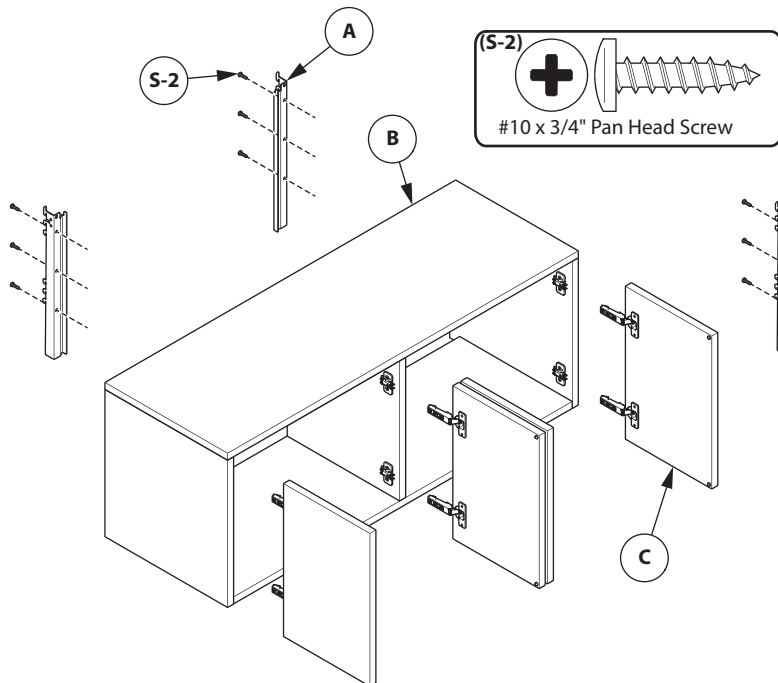
Scale 1 : 1

Tools Required



OVERHEAD SOTRAGE - SWING DOOR

OVERHEAD SOTRAGE - SLIDING DOOR



CUSTOMER SERVICE PHONE: 1-800-426-8562

HAWORTH

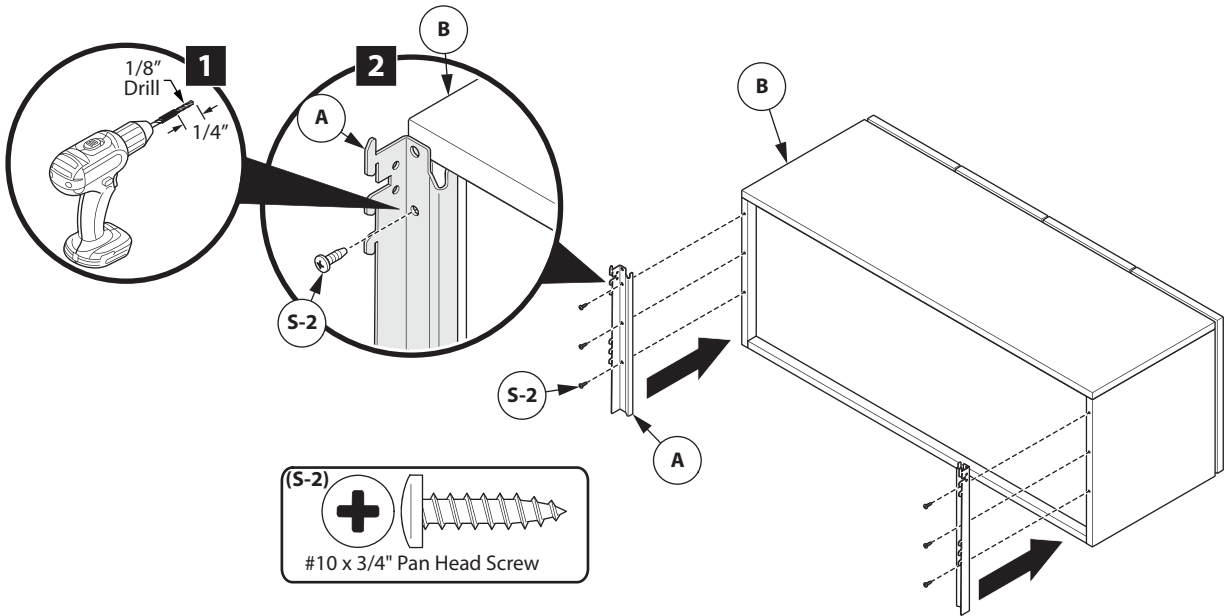
E.C.O. No: 781-431

Page: 7 of 13

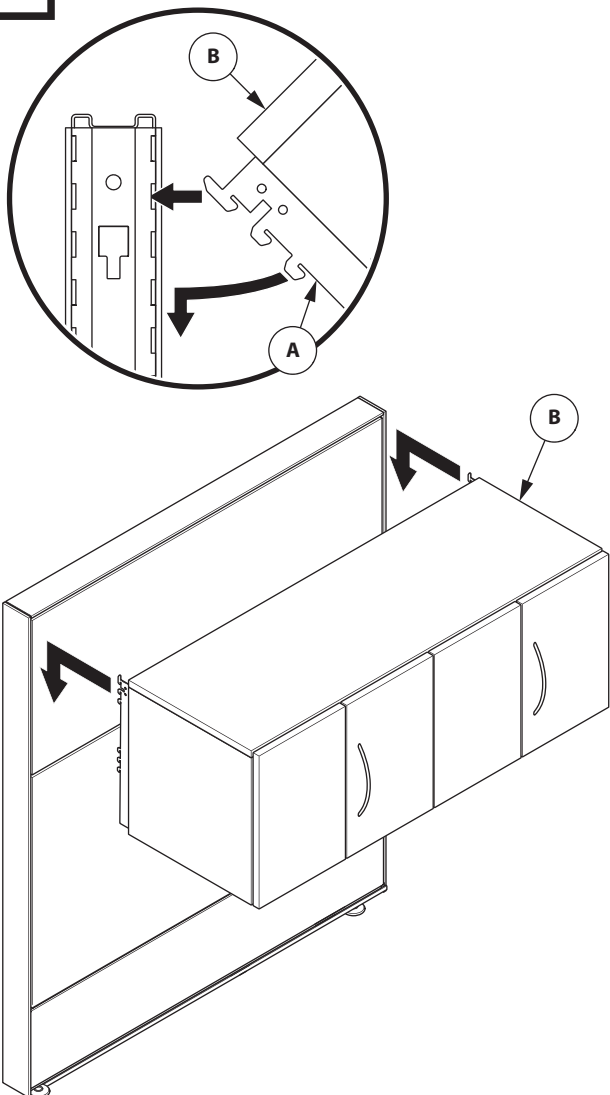
Part No: 6100-0126

Rev: 1

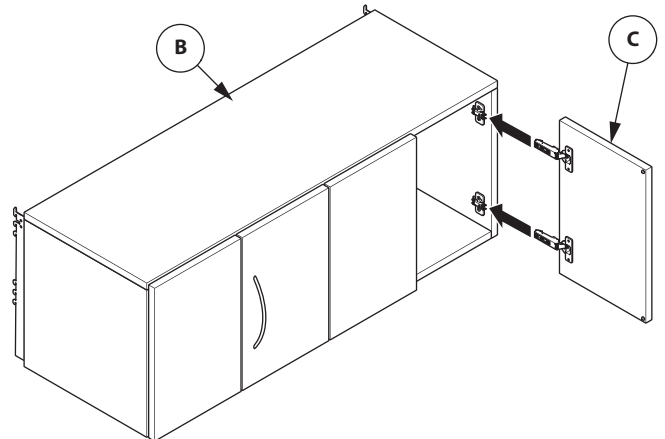
1



2



3



CUSTOMER SERVICE PHONE: 1-800-426-8562

HAWORTH

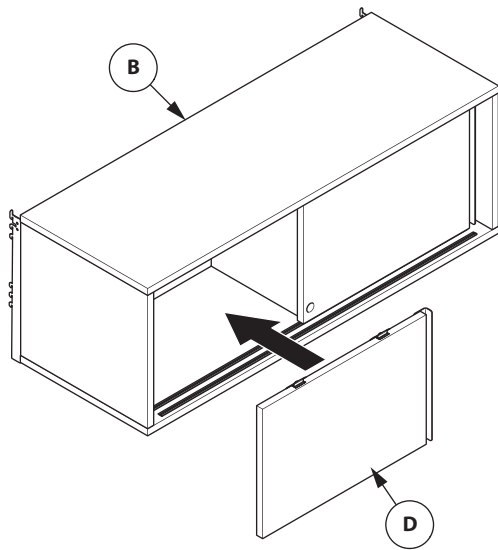
E.C.O. No: 781-431

Page: 8 of 13

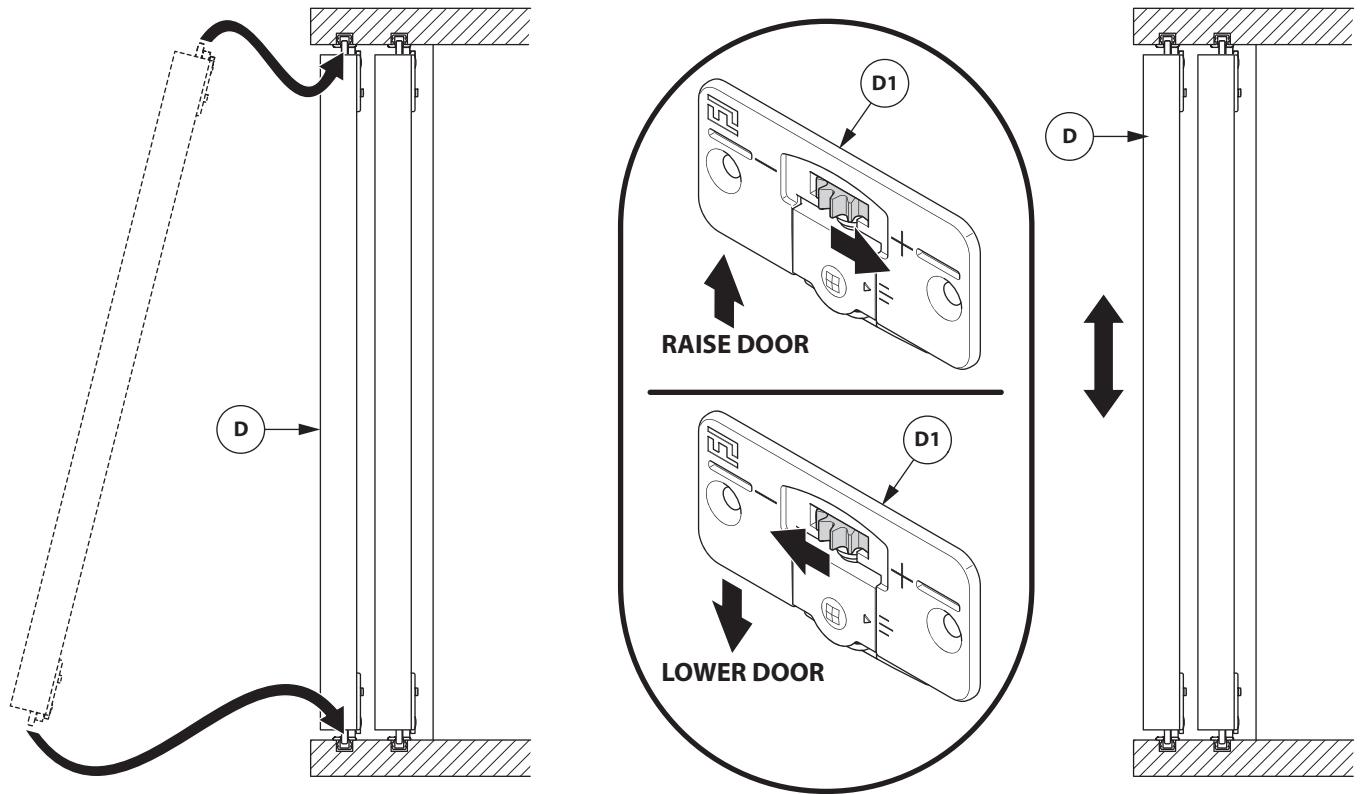
Part No: 6100-0126

Rev: 1

4



SLIDING DOOR ADJUSTMENT



CUSTOMER SERVICE PHONE: 1-800-426-8562

HAWORTH

E.C.O. No: 781-431

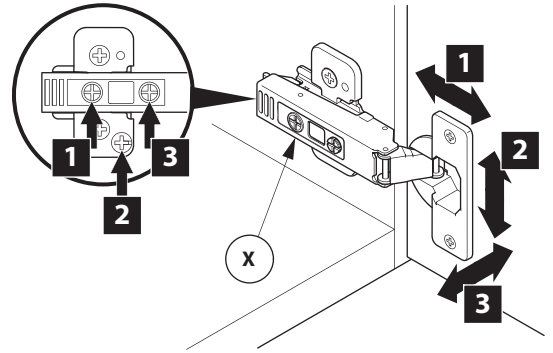
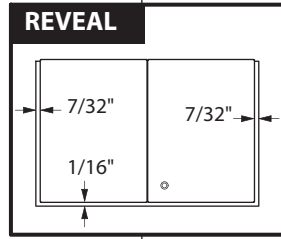
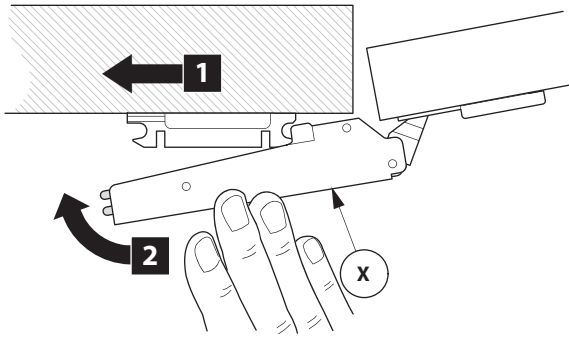
Page: 9 of 13

Part No: 6100-0126

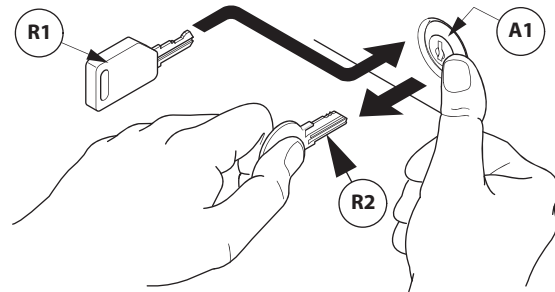
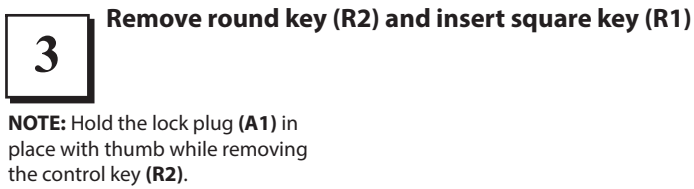
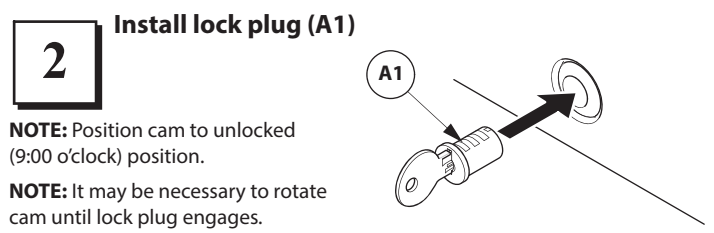
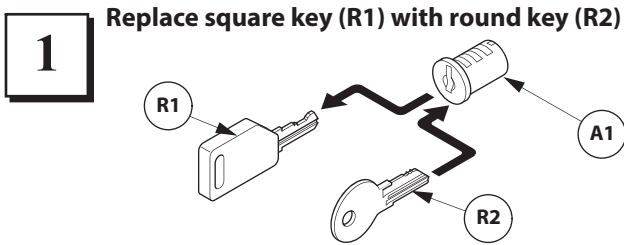
Rev: 1

DOOR HINGE INSTALLATION/REMOVAL

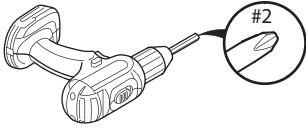
DOOR HINGE ADJUSTMENT



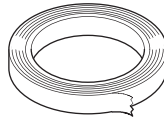
OPTIONAL: LOCK PLUG INSTALLATION



Tools Required

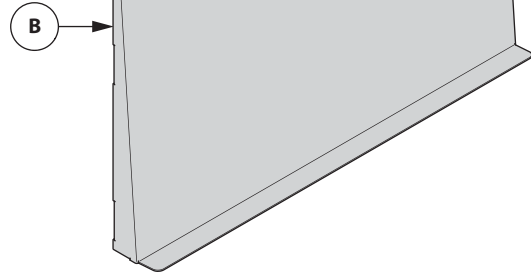
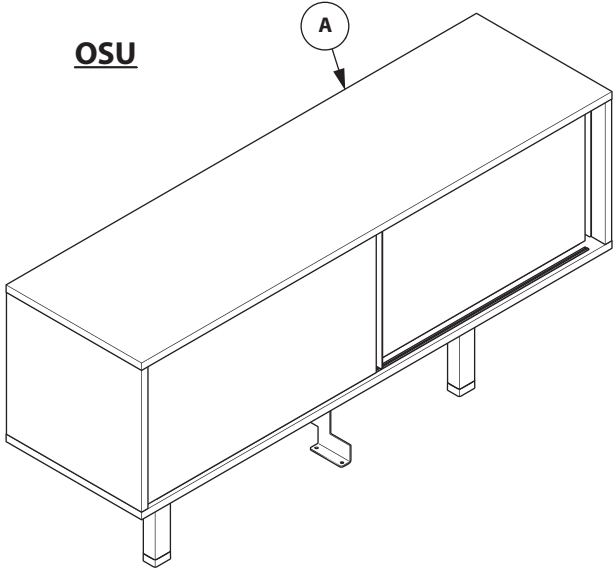


ISOPROPYL ALCOHOL

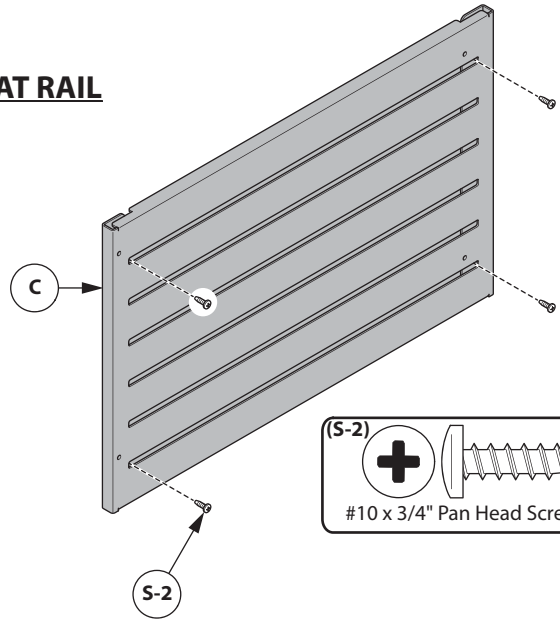


REFERENCE LEDGE

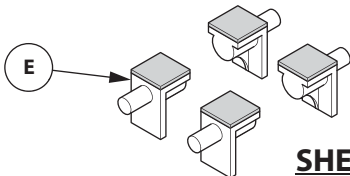
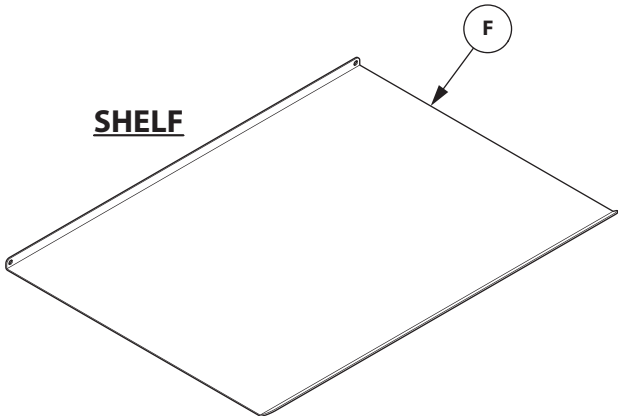
OSU



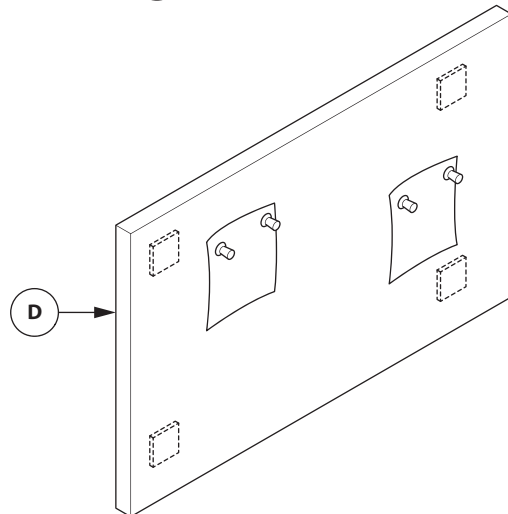
SLAT RAIL



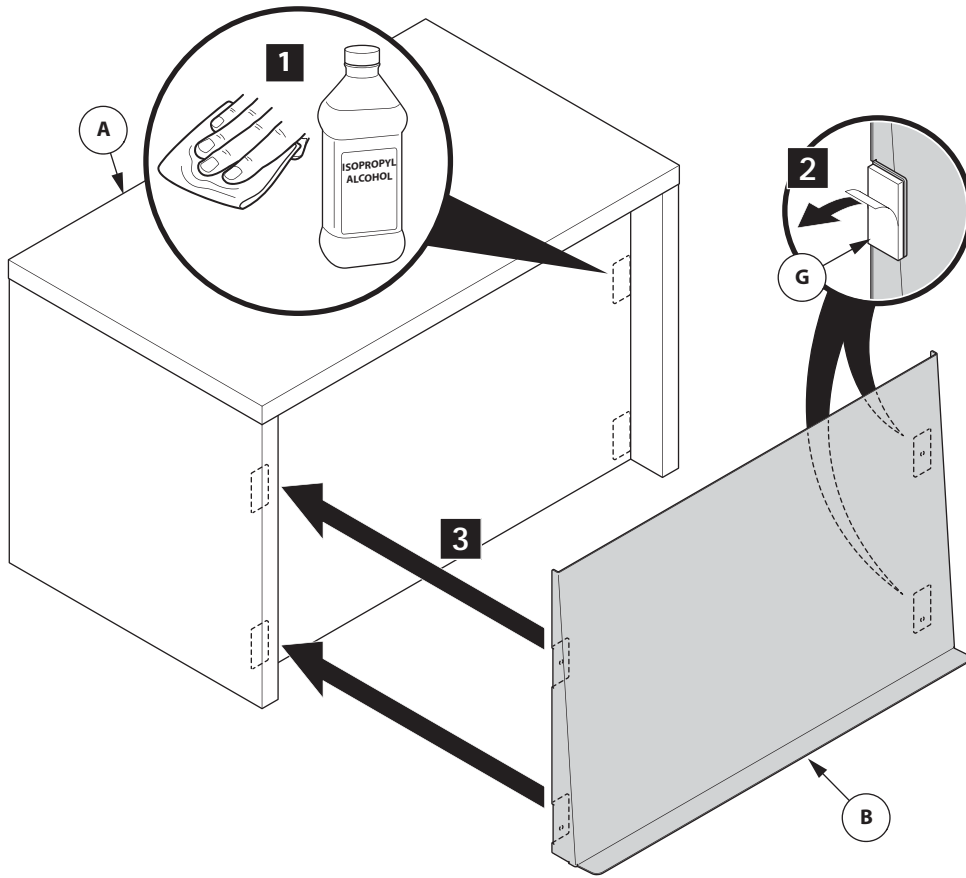
SHELF



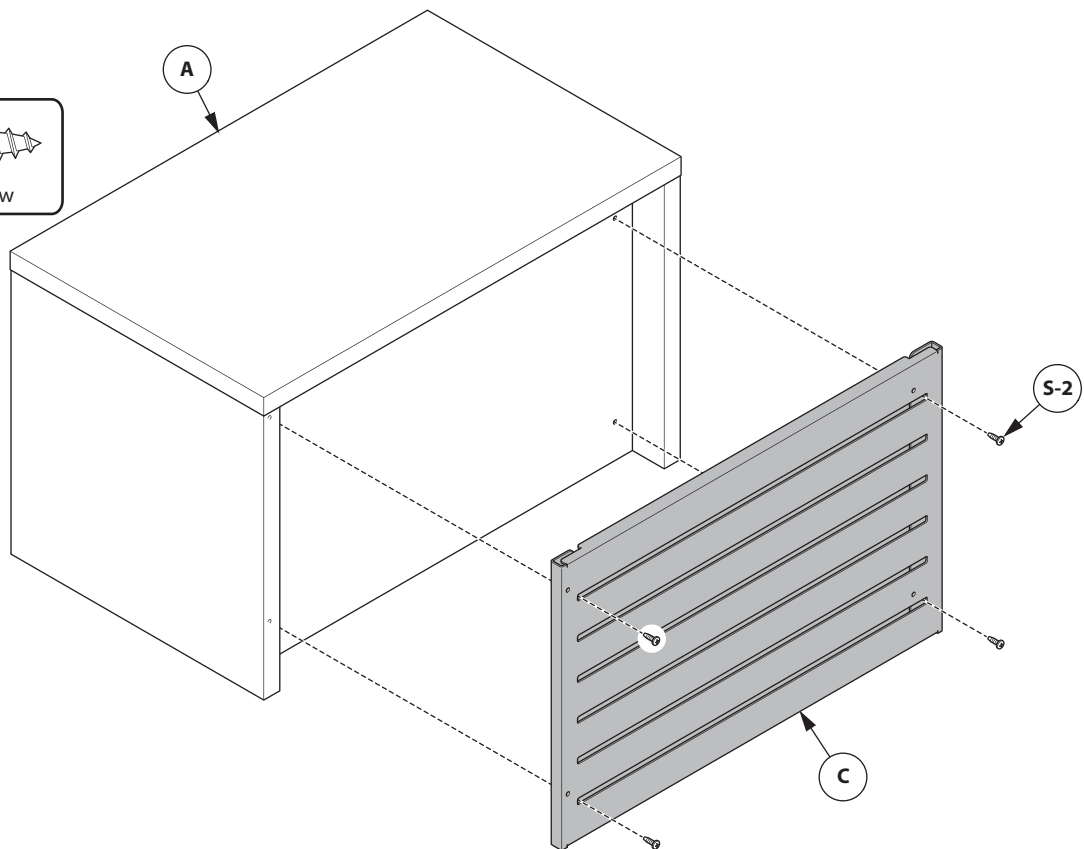
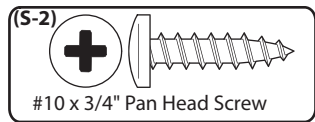
SHELF PIN



1



2



CUSTOMER SERVICE PHONE: 1-800-426-8562

HAWORTH

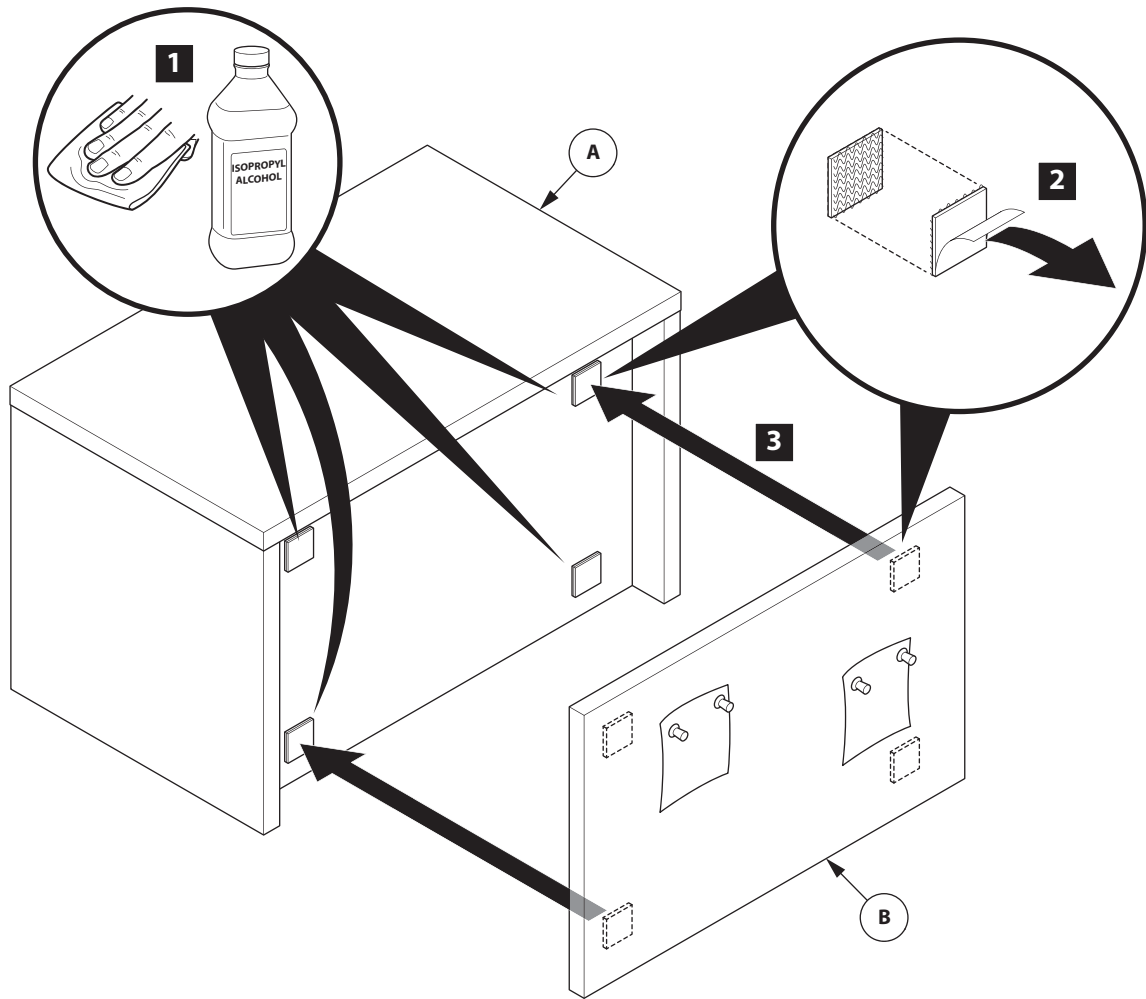
E.C.O. No: 781-431

Page: 12 of 13

Part No: 6100-0133

Rev: 1

3



CUSTOMER SERVICE PHONE: 1-800-426-8562

HAWORTH

E.C.O. No: 781-431

Page: 13 of 13

Part No: 6100-0133

Rev: 1