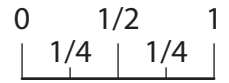
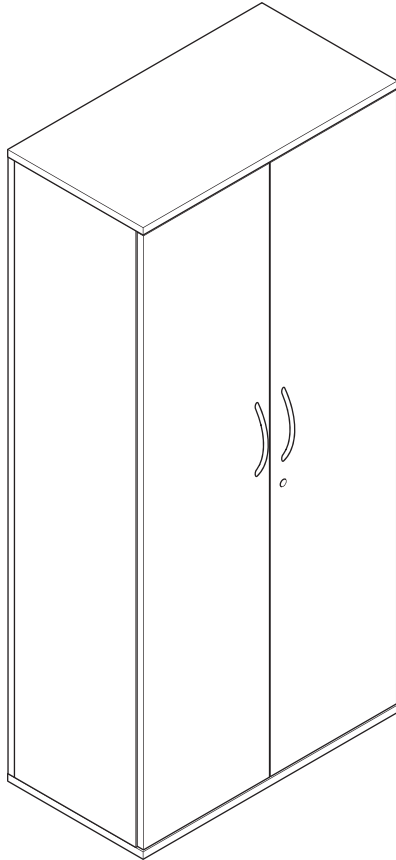
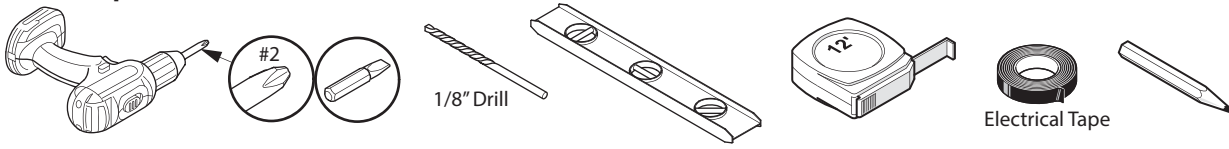


**BE\_HOLD™**  
**Storage Cabinets & Accessories**  
Installation Instructions

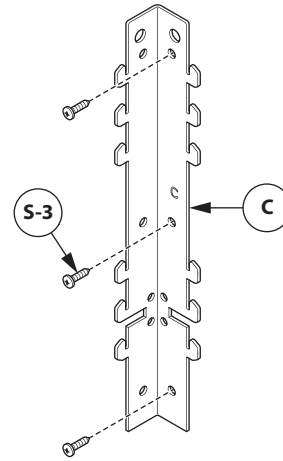


**Scale 1 : 1**

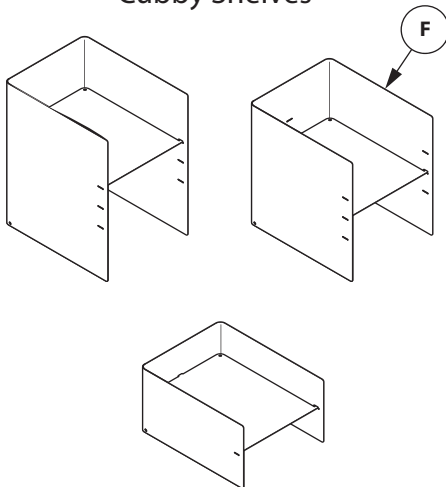
**Tools Required**



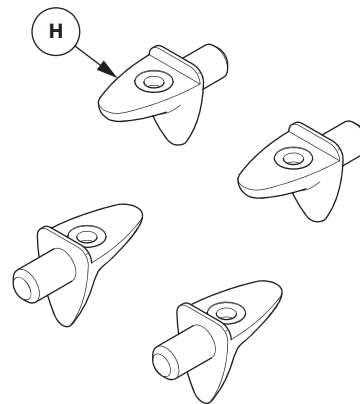
Panel Bracket



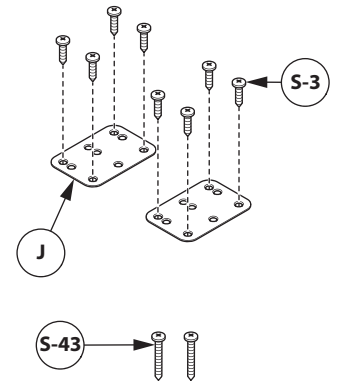
Cubby Shelves



Shelf Pins



Ganging Kit



CUSTOMER SERVICE PHONE: 1-800-426-8562

**HAWORTH**

E.C.O. No: 781-431

Page: 1 of 6

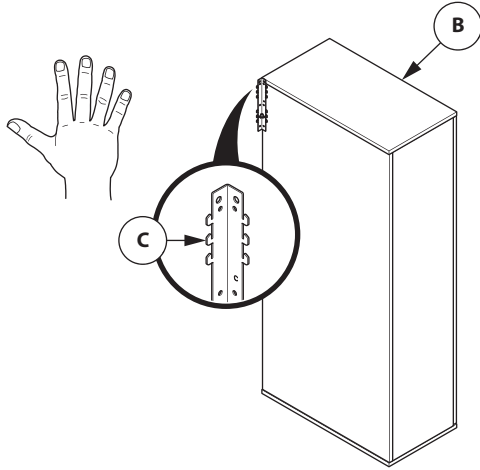
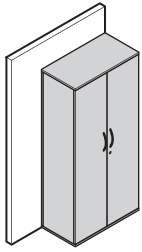
Part No: 6100-0127

Rev: 1

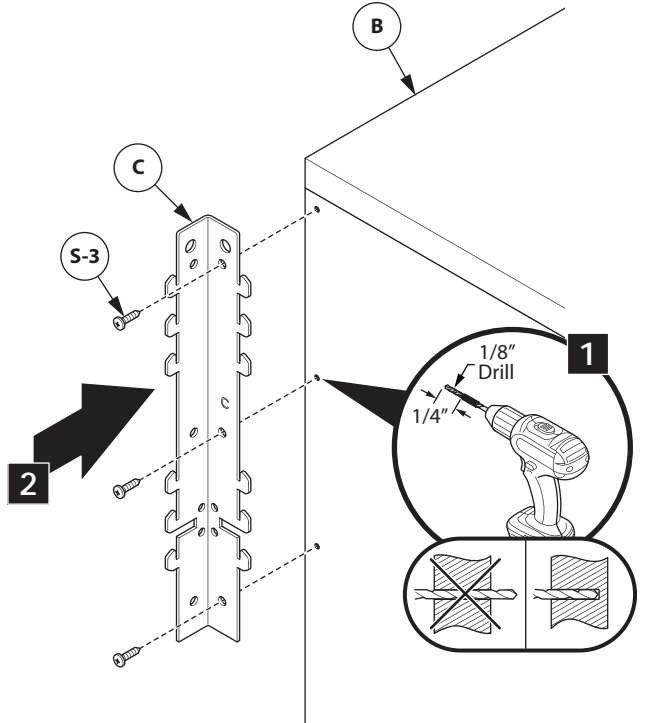
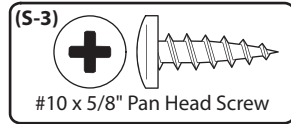
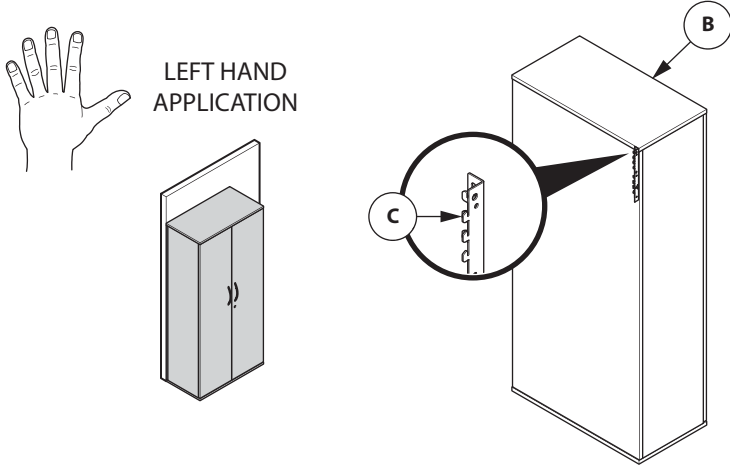
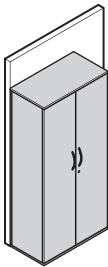
# PANEL BRACKET INSTALLATION

1

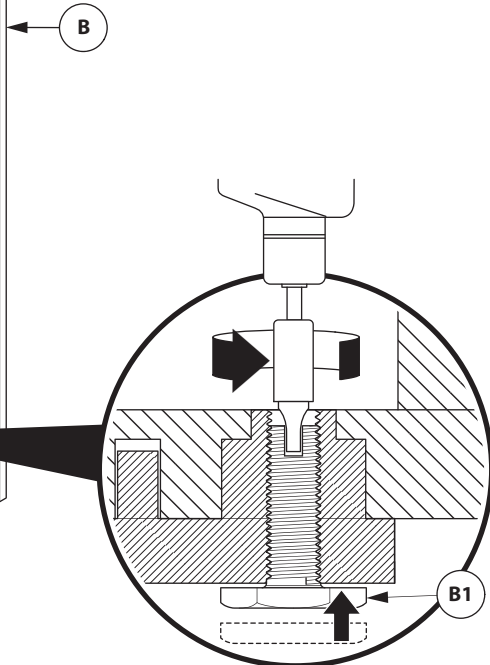
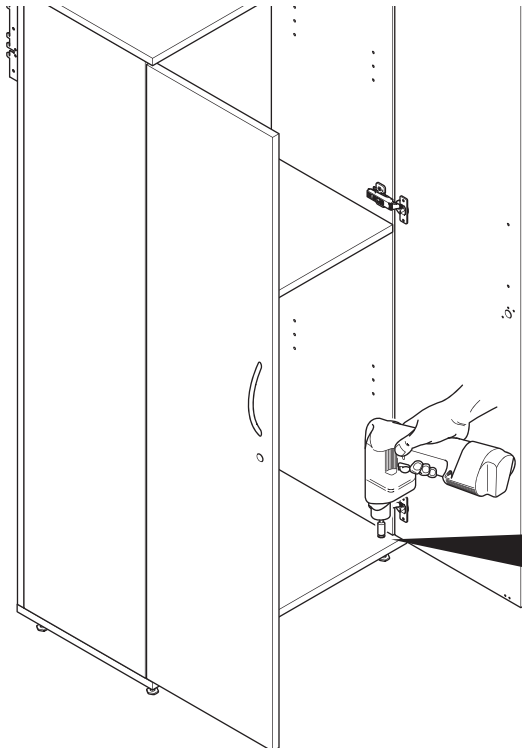
RIGHT HAND APPLICATION



LEFT HAND APPLICATION



2



CUSTOMER SERVICE PHONE: 1-800-426-8562

**HAWORTH**

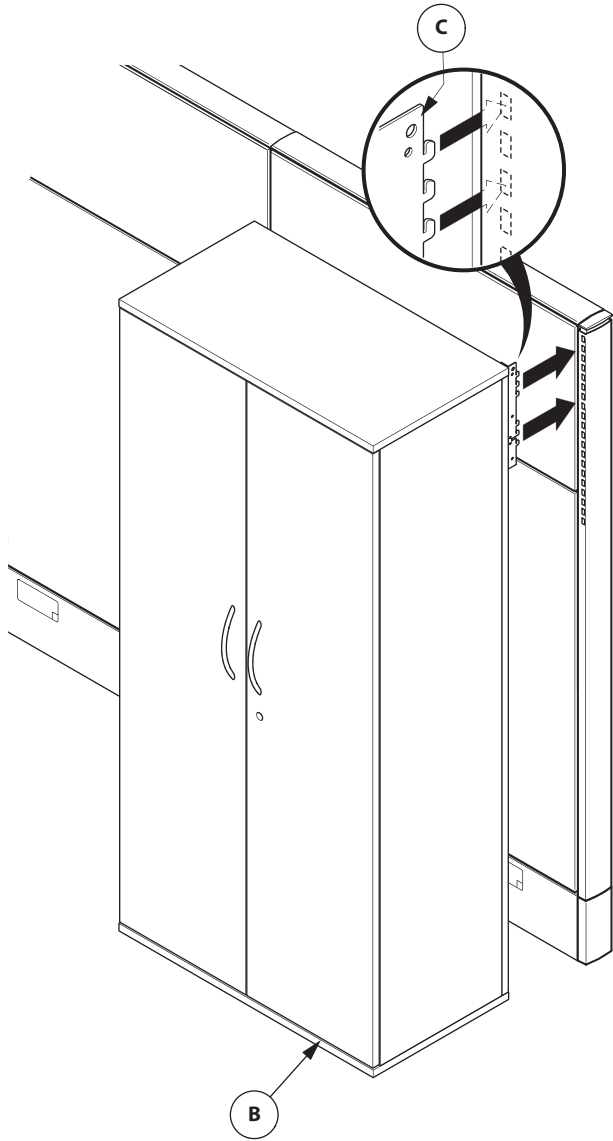
E.C.O. No: 781-431

Page: 2 of 6

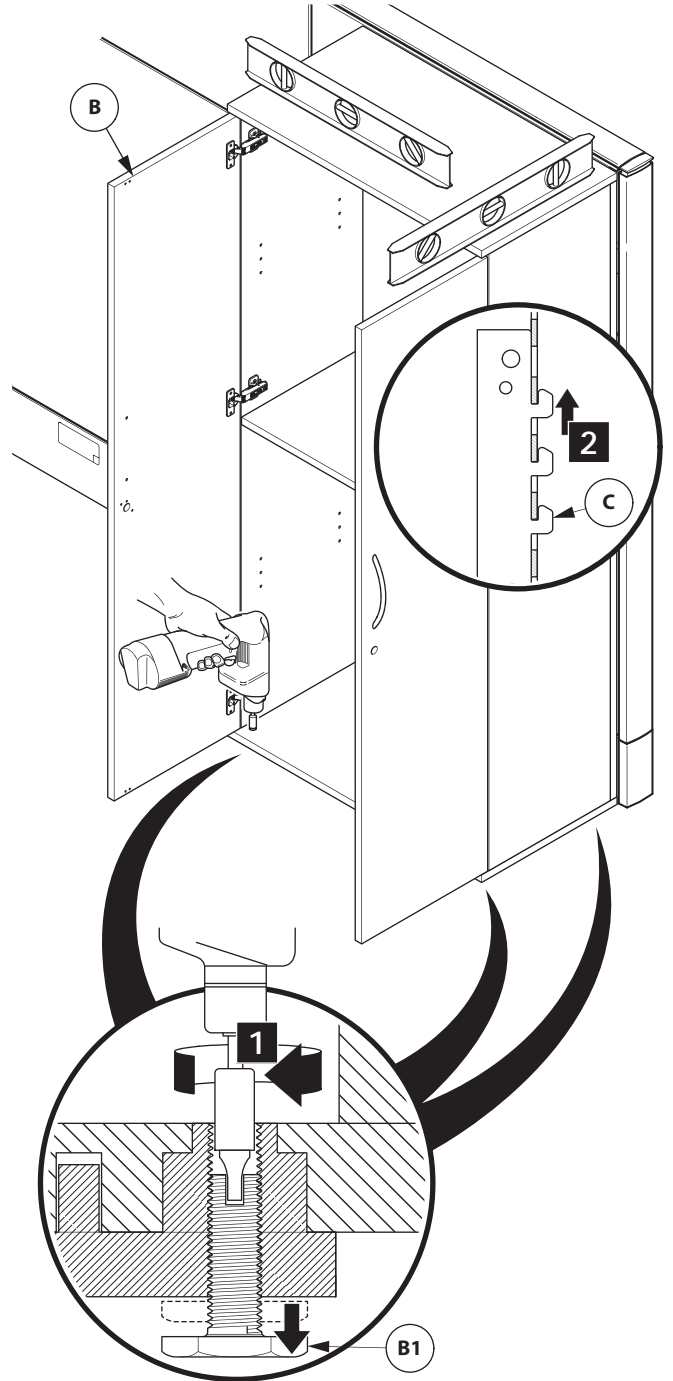
Part No: 6100-0127

Rev: 1

3



4



CUSTOMER SERVICE PHONE: 1-800-426-8562

**HAWORTH**

E.C.O. No: 781-431

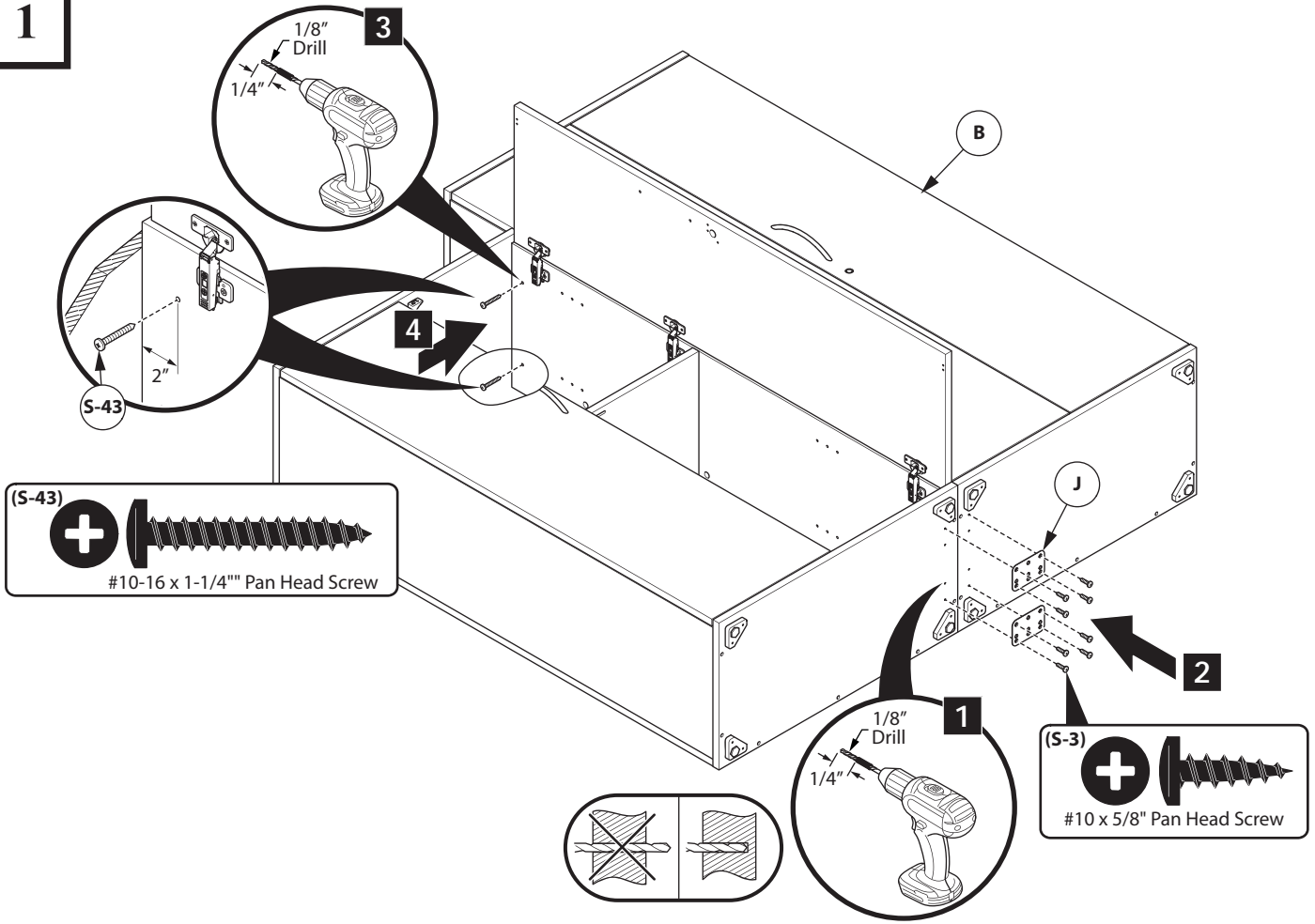
Page: 3 of 6

Part No: 6100-0127

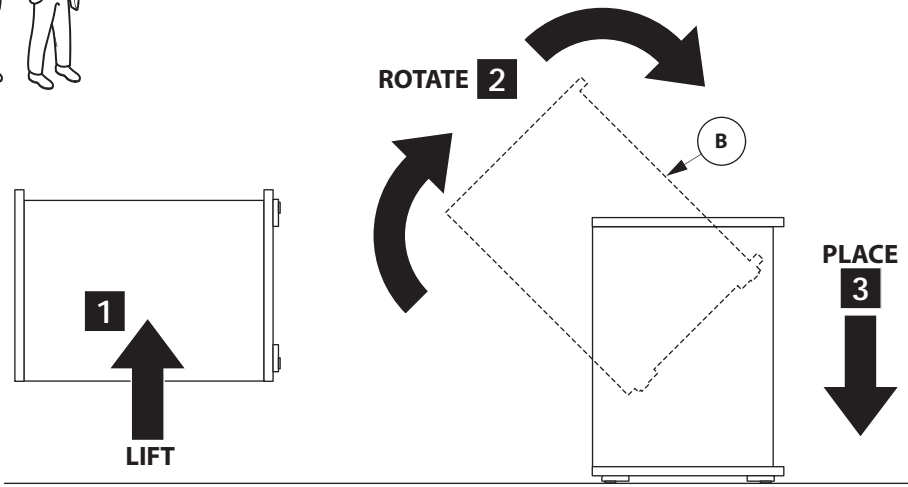
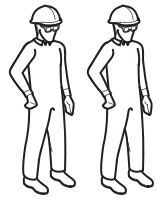
Rev: 1

**GANGING INSTALLATION**

**1**



**2**



CUSTOMER SERVICE PHONE: 1-800-426-8562

**HAWORTH**

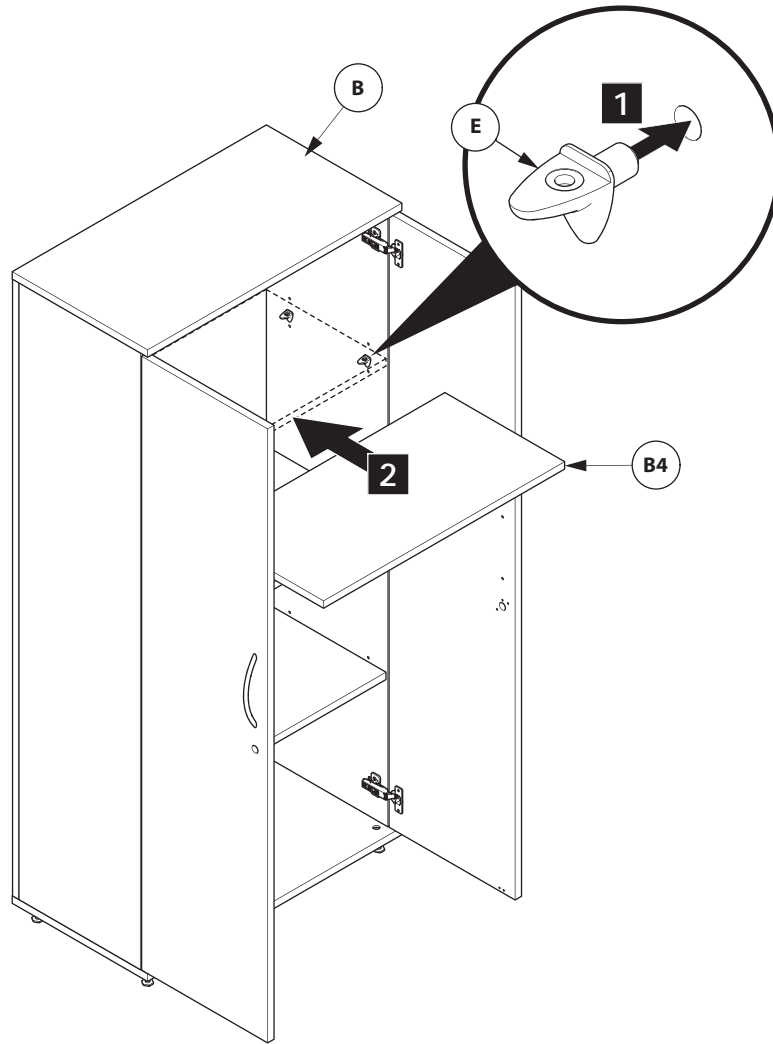
E.C.O. No: 781-431

Page: 4 of 6

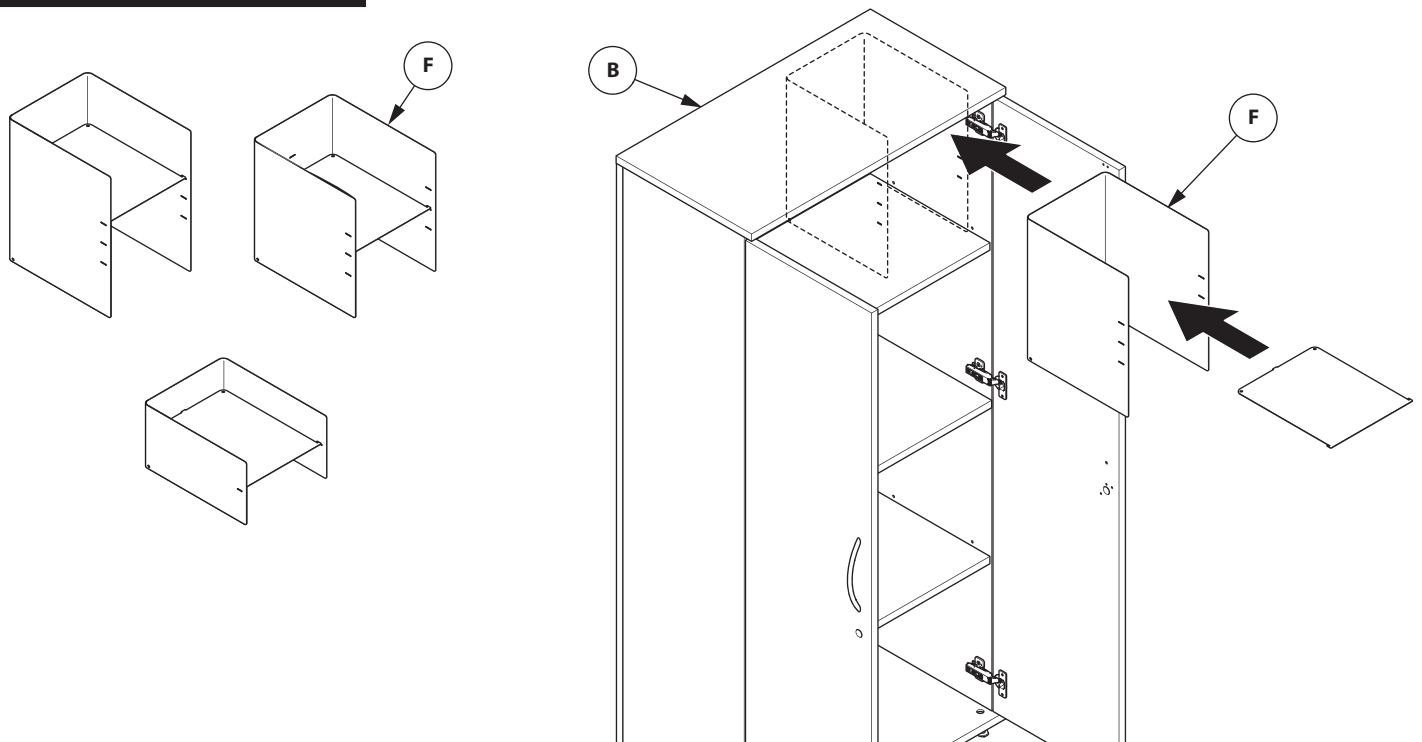
Part No: 6100-0127

Rev: 1

## SHELF INSTALLATION



## CUBBY SHELVES INSTALLATION



CUSTOMER SERVICE PHONE: 1-800-426-8562

**HAWORTH**

E.C.O. No: 781-431

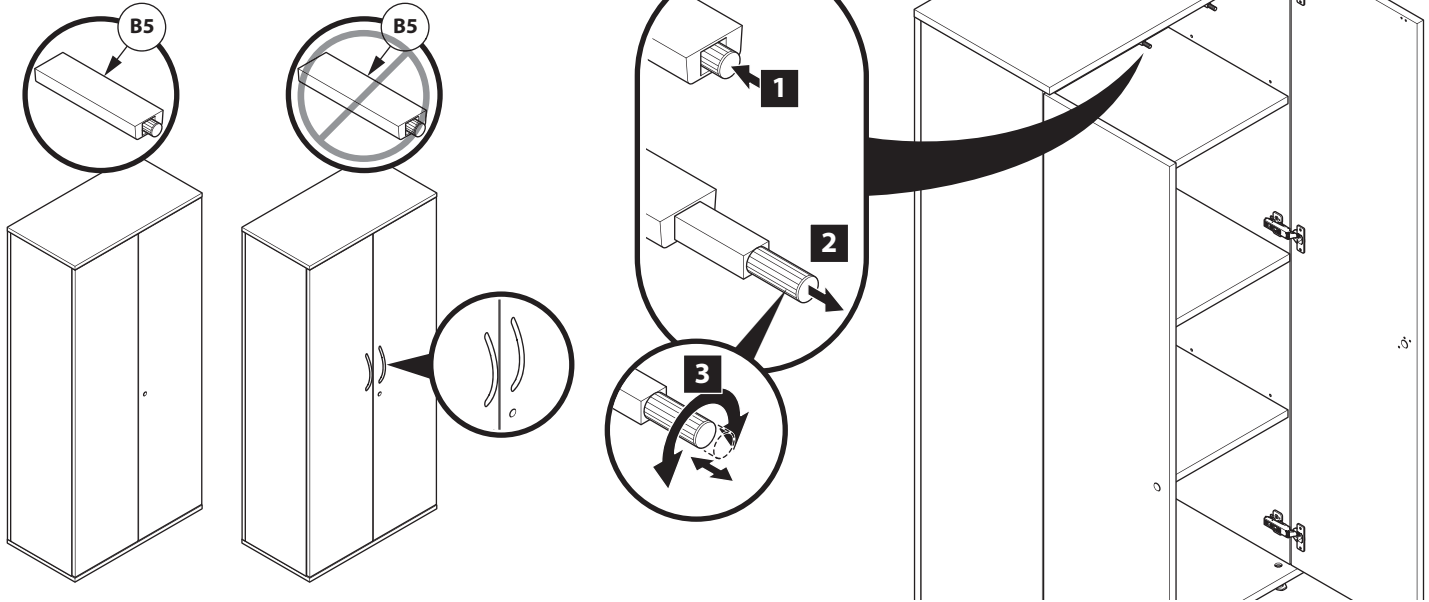
Page: 5 of 6

Part No: 6100-0127

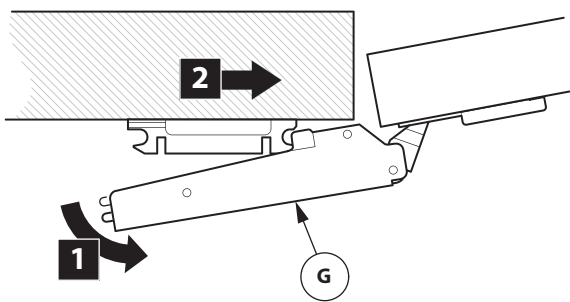
Rev: 1

## DOOR PUSH LATCH ADJUSTMENT

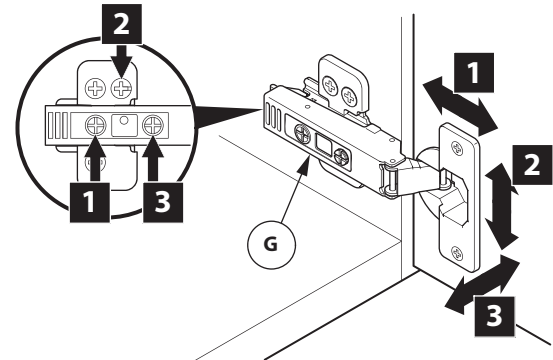
**NOTE:** Not all units have push latches (B5). Units with door pulls **WILL NOT** have push latches (B5).



## DOOR INSTALLATION/REMOVAL

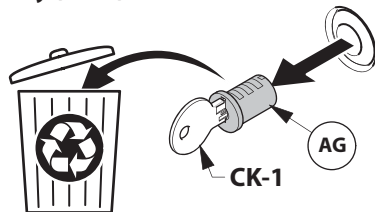


## DOOR HINGE ADJUSTMENT



## OPTIONAL LOCK PLUG INSTALLATION

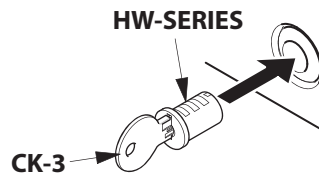
**1** Remove shipping plug (AG) with round key (CK-1)



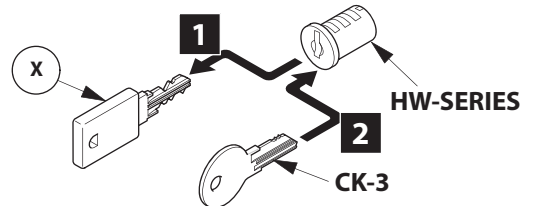
**3** Install lock plug (HW-SERIES)

**NOTE:** Position cam to unlocked (12:00 o'clock position).

**NOTE:** It may be necessary to rotate cam until lock plug engages.

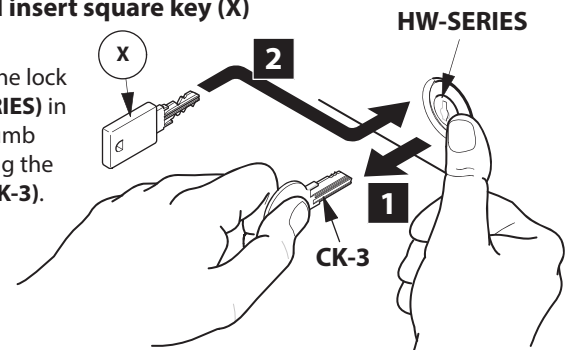


**2** Replace square key (X) with round key (CK-3)



**4** Remove round key (CK-3) and insert square key (X)

**NOTE:** Hold the lock plug (HW-SERIES) in place with thumb while removing the control key (CK-3).



CUSTOMER SERVICE PHONE: 1-800-426-8562

**HAWORTH**

E.C.O. No: 781-431

Page: 6 of 6

Part No: 6100-0127

Rev: 1