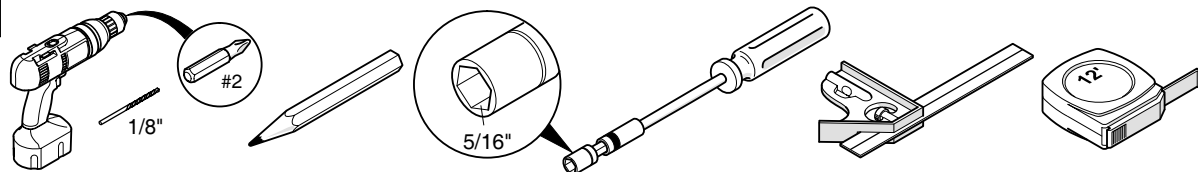




Peninsula Panel Leg

Installation Tools:



1.

Read instructions completely before assembly.

Place peninsula top upside down on a flat protected surface. Attach column leg to top using (4) four 7/8" long screws in pre-drilled holes (**Fig. 1**).

Drill (2) two 1/8" dia. holes in top as shown in (**Inset #1**). Attach (2) two "U" clips using (1) one 7/8" long screw per clip. Be sure to orient the "U" clips as shown.

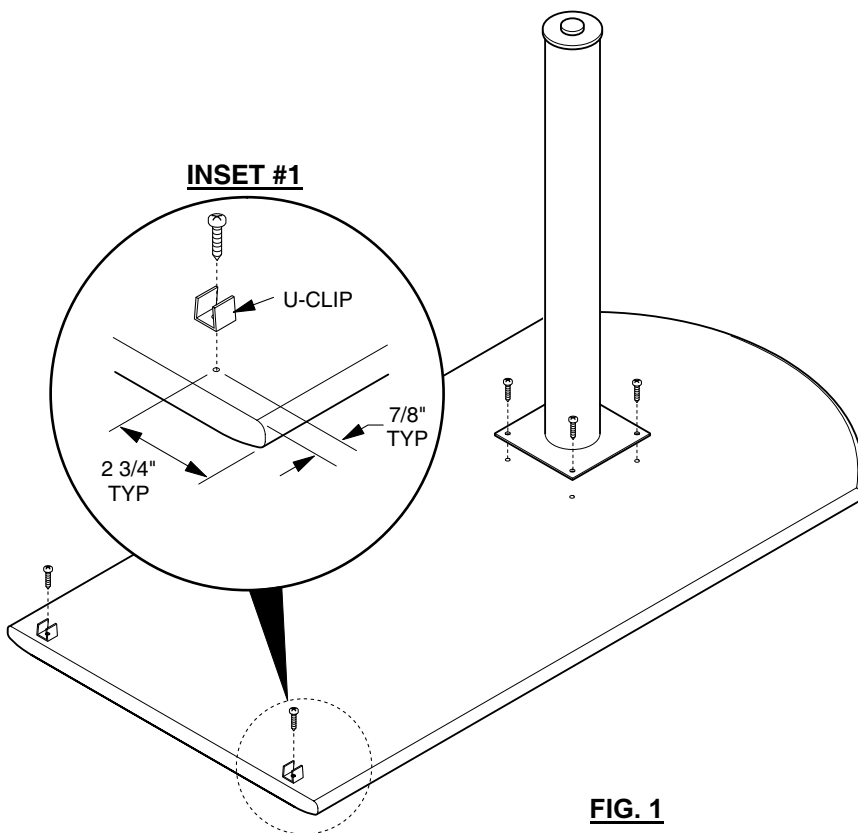
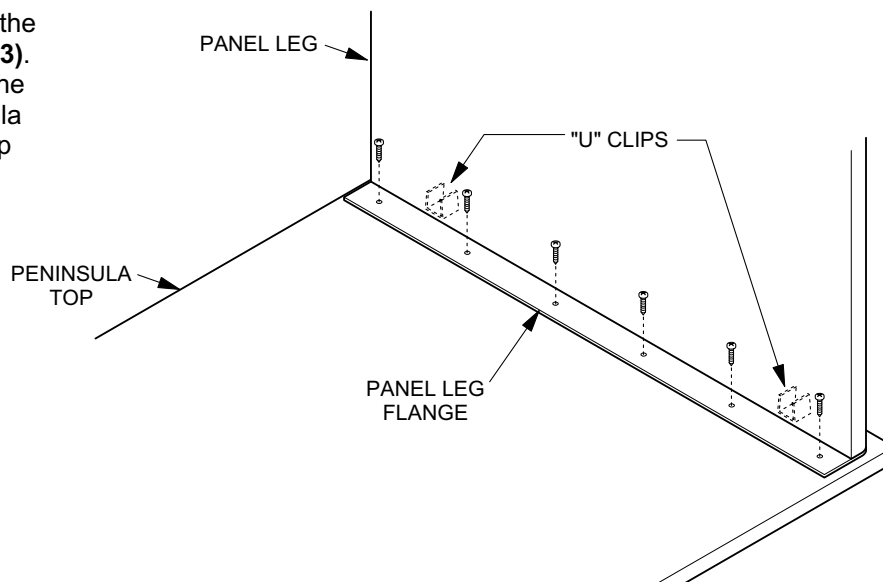


FIG. 1

2.

Place panel leg over "U" clips with the panel leg flange to the inside (**Fig. 3**). Align the panel leg flange up with the predrilled pilot holes of the peninsula top. Secure the panel leg to the top using (6) six 7/8" long screws.



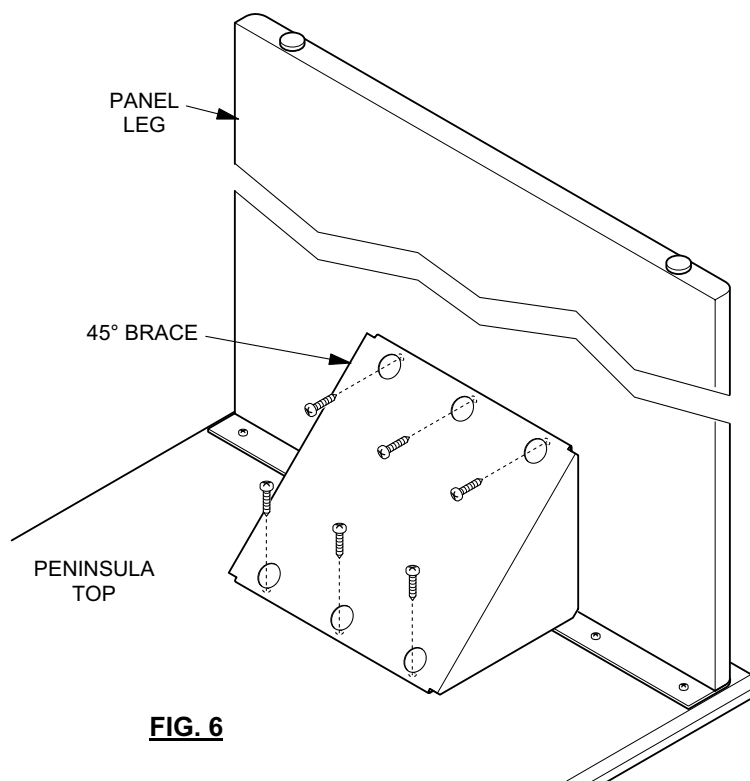


Peninsula Panel Leg

3.

Center the 45° brace on the panel leg (**Fig. 4**). Line the brace up with the three predrilled pilot holes on the peninsula top. Attach the brace to the top with (3) three 7/8" long screws (**Fig. 4**).

Drill (3) three 1/8" pilot holes in the panel leg using the 45° brace as a guide. Attach the brace to the panel leg with (3) three 1/2" screws.



4.

(Optional Two Desk Mounting)

Place the two desks end to end with a 1/8" gap between them (**Fig. 4**).

Locate the two flat brackets to the underside of desk tops (**Fig. 4**). Hold brackets in place with "C" clamps.

Use holes in brackets to drill (8) eight 1/8" dia. pilot holes and attach brackets with (8) eight 7/8" long screws.



Peninsula Panel Leg

3. Assemble products in their final location for they are difficult to move after assembly.

Place the desk and peninsula top parallel and far enough apart so the bridge will fall between them.

Adjust the glides in the desk, panel leg, and column leg so they are properly aligned.

Push the pieces together so the bridge top fits flush and the bridge back panel aligns with the desk and panel legs (**Fig. 5**).

Use the brackets as a guide to drill (16) sixteen 1/8" dia. pilot holes in the underside of the desk top.

Attach the bridge to the desk and peninsula top with (16) sixteen 7/8" long screws.

Attach the bridge back panel to the legs of desk and peninsula legs with (2) two "J" clips. Use one 1/2" long screw per clip (**Inset #1**).

