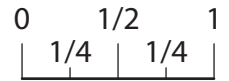


ATWELL®  
Leg Installation  
Installation Instructions

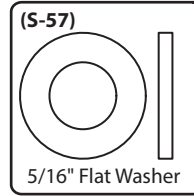
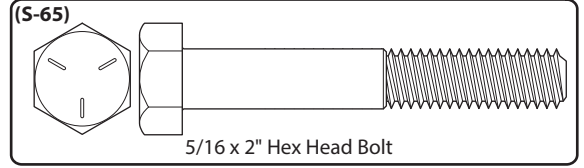
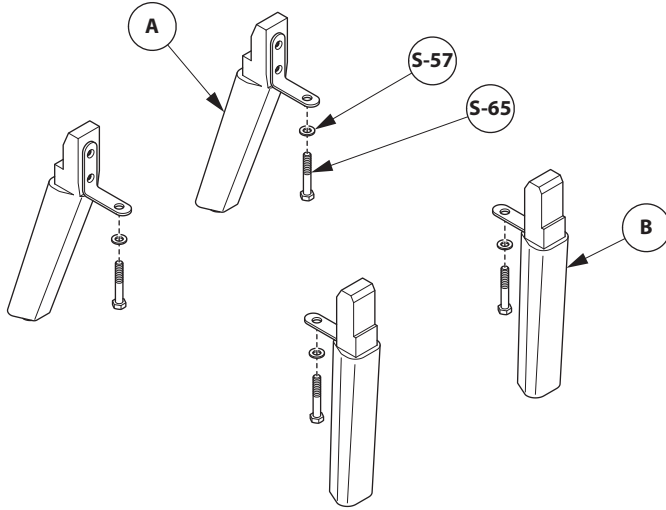


Scale 1 : 1

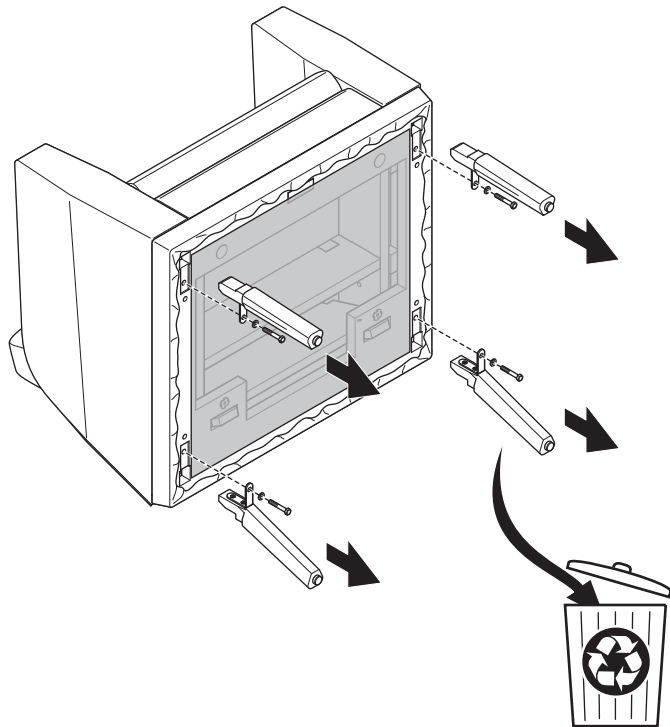
Tools Required



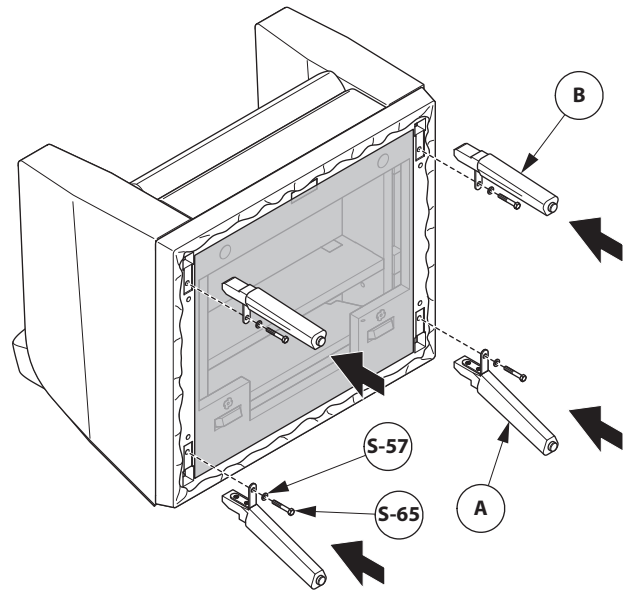
Parts



1



2



CUSTOMER SERVICE PHONE: 1-800-426-8562

**HAWORTH**

E.C.O. No: 525-002

Page: 1 of 1

Part No: 6100-0037

Rev: 1