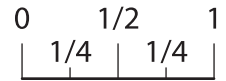
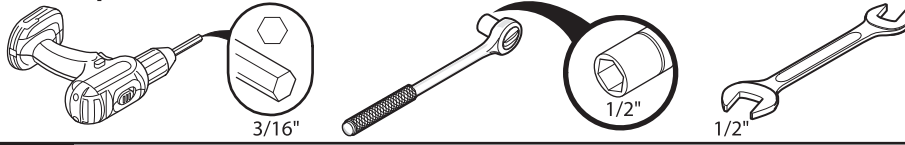


Seat & Back Replacement - Side Chair
Installation Instructions

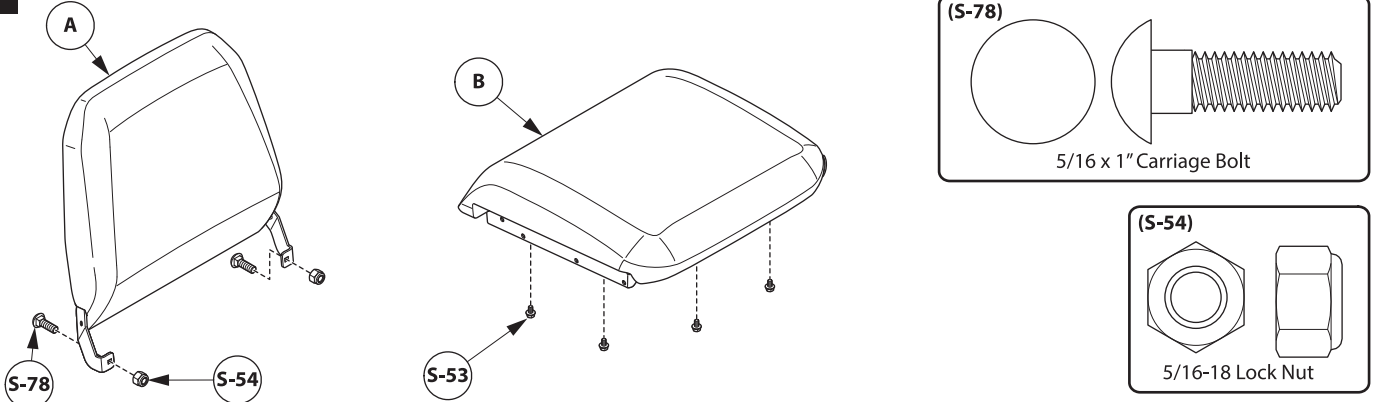


Scale 1 : 1

Tools Required

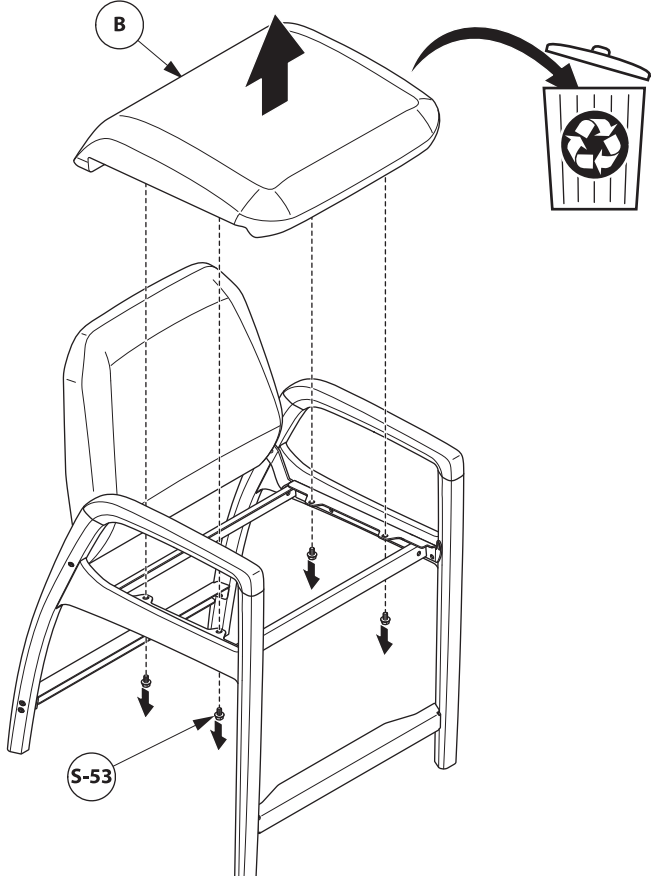
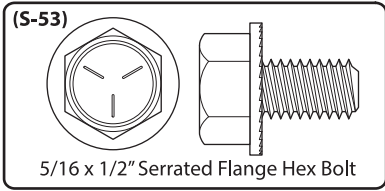


Parts



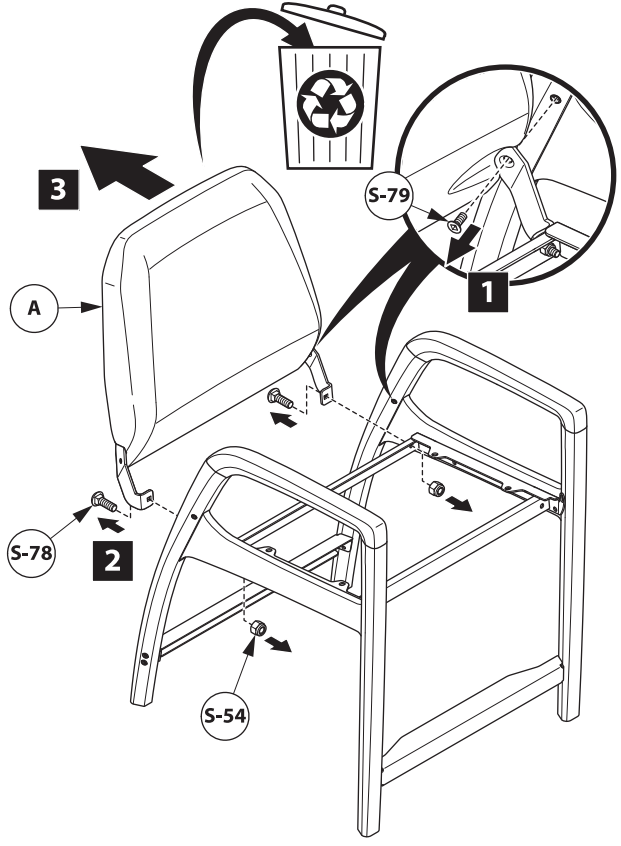
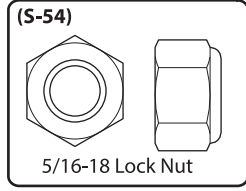
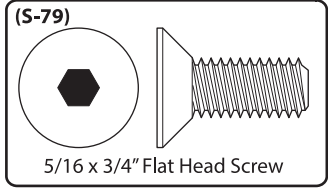
Seat Removal

1



Back Removal

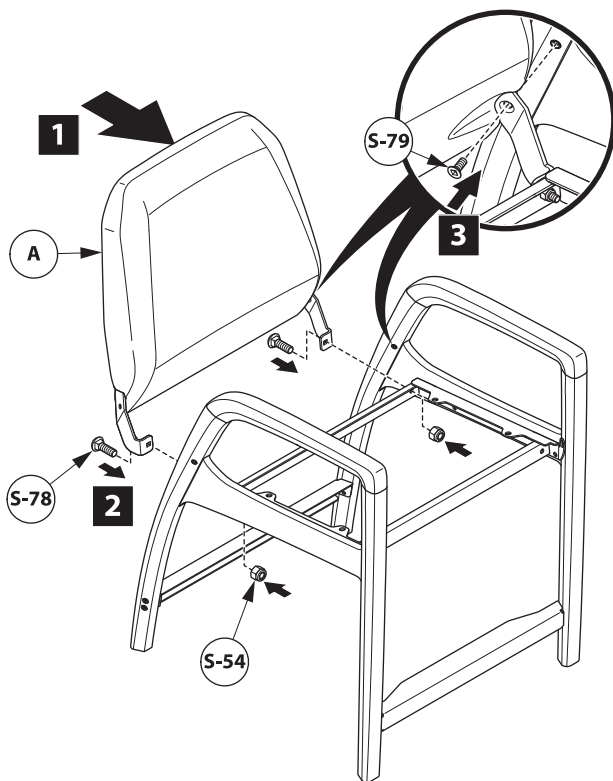
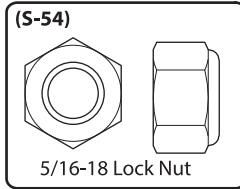
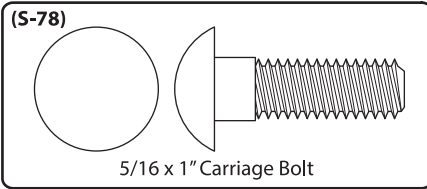
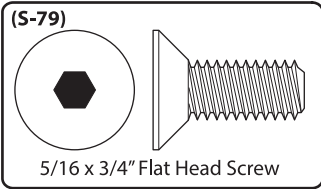
2



CUSTOMER SERVICE PHONE: 1-800-426-8562

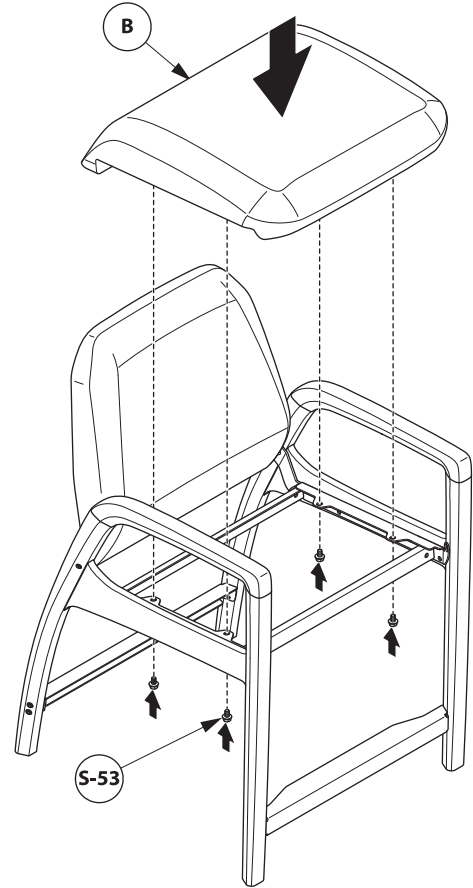
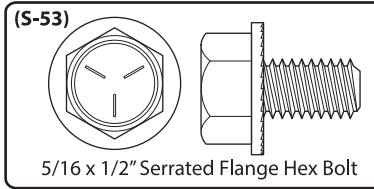
Back Installation

3



Seat Installation

4



CUSTOMER SERVICE PHONE: 1-800-426-8562

HAWORTH[®]

E.C.O. No: 525-001

Page: 2 of 2

Part No: 6100-0040

Rev: 1