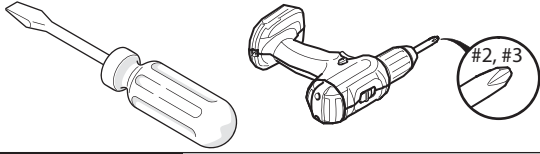


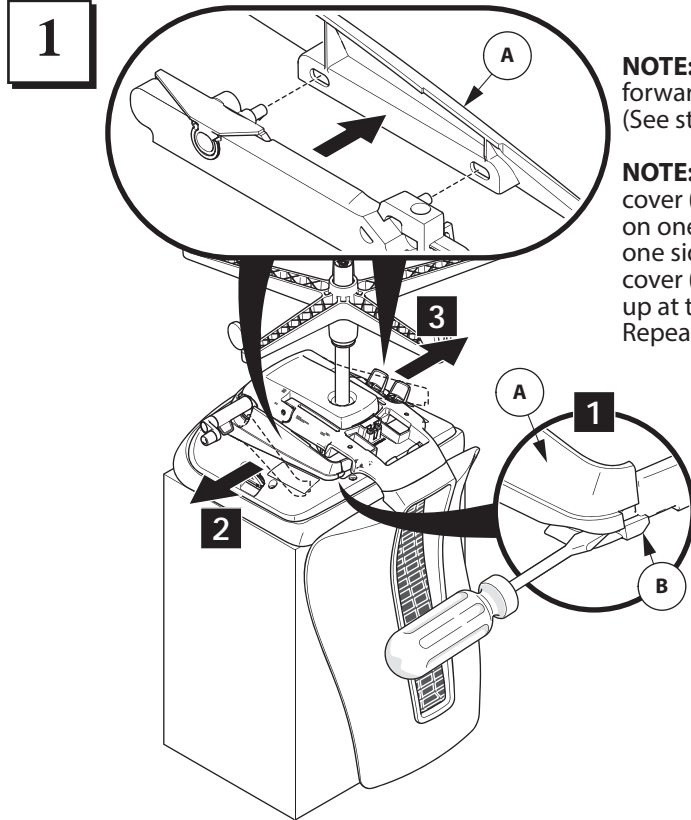
# FERN

## Seat Replacement Installation Instructions

### Tools Required

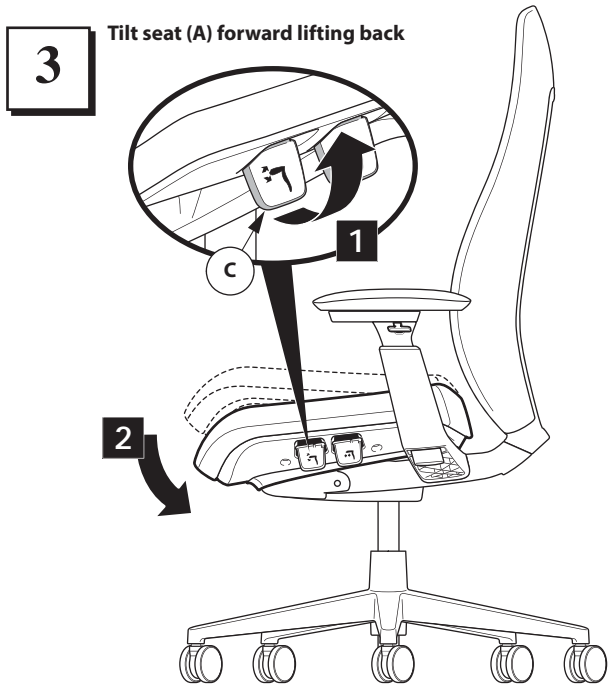
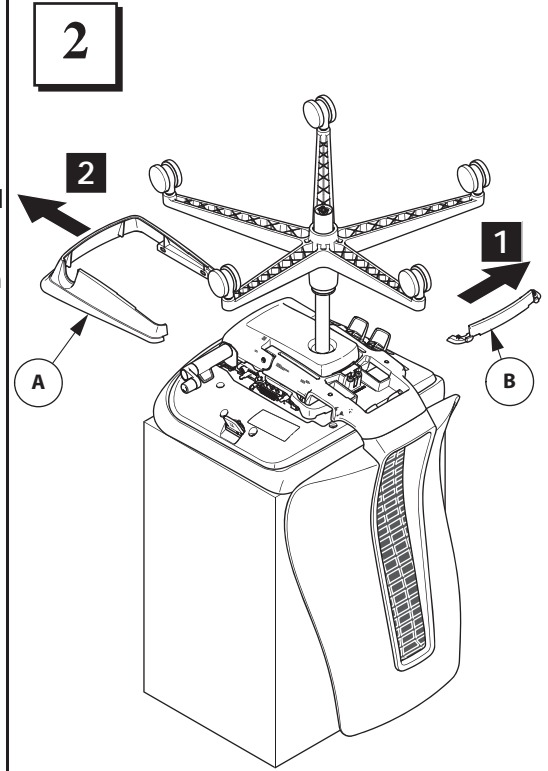


### SEAT REPLACEMENT



**NOTE:** Put the chair into forward tilt if equipped. (See step 3)

**NOTE:** After the rear cover (B) is disconnected on one side pull out on one side of the front cover (A). It helps to push up at the same time. Repeat on other side.



Tilt seat (A) forward lifting back

OR



CUSTOMER SERVICE PHONE: 1-800-426-8562

**HAWORTH**

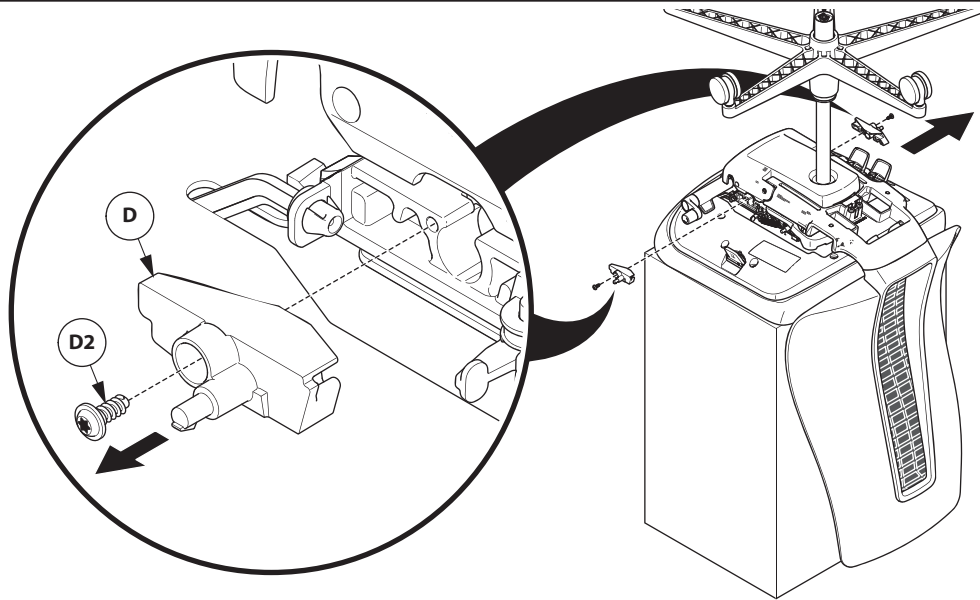
E.C.O. No: 50000008504

Page: 1 OF 6

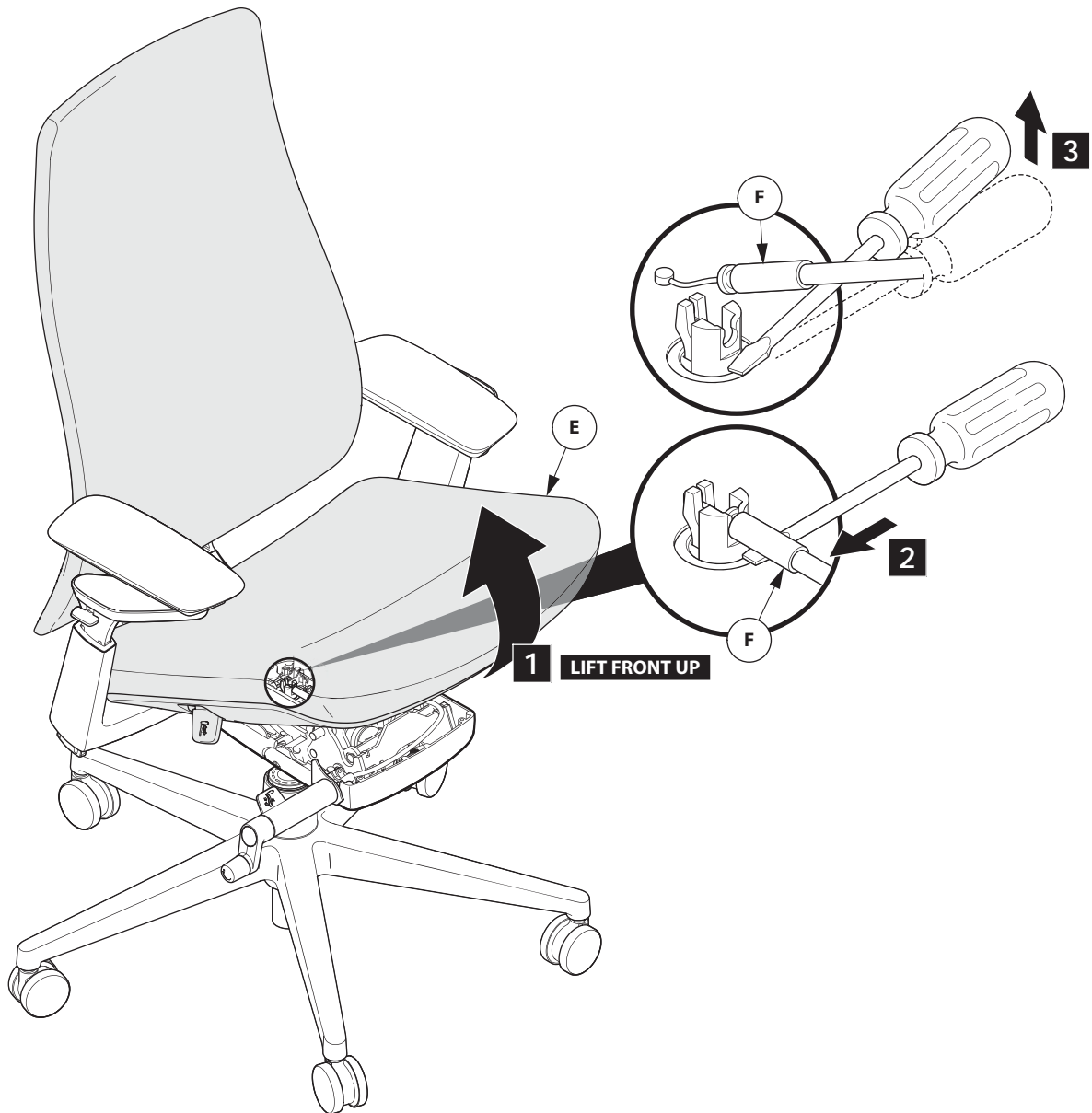
Part No: 7029-9976

Rev: 1

4



5



CUSTOMER SERVICE PHONE: 1-800-426-8562

**HAWORTH**<sup>®</sup>

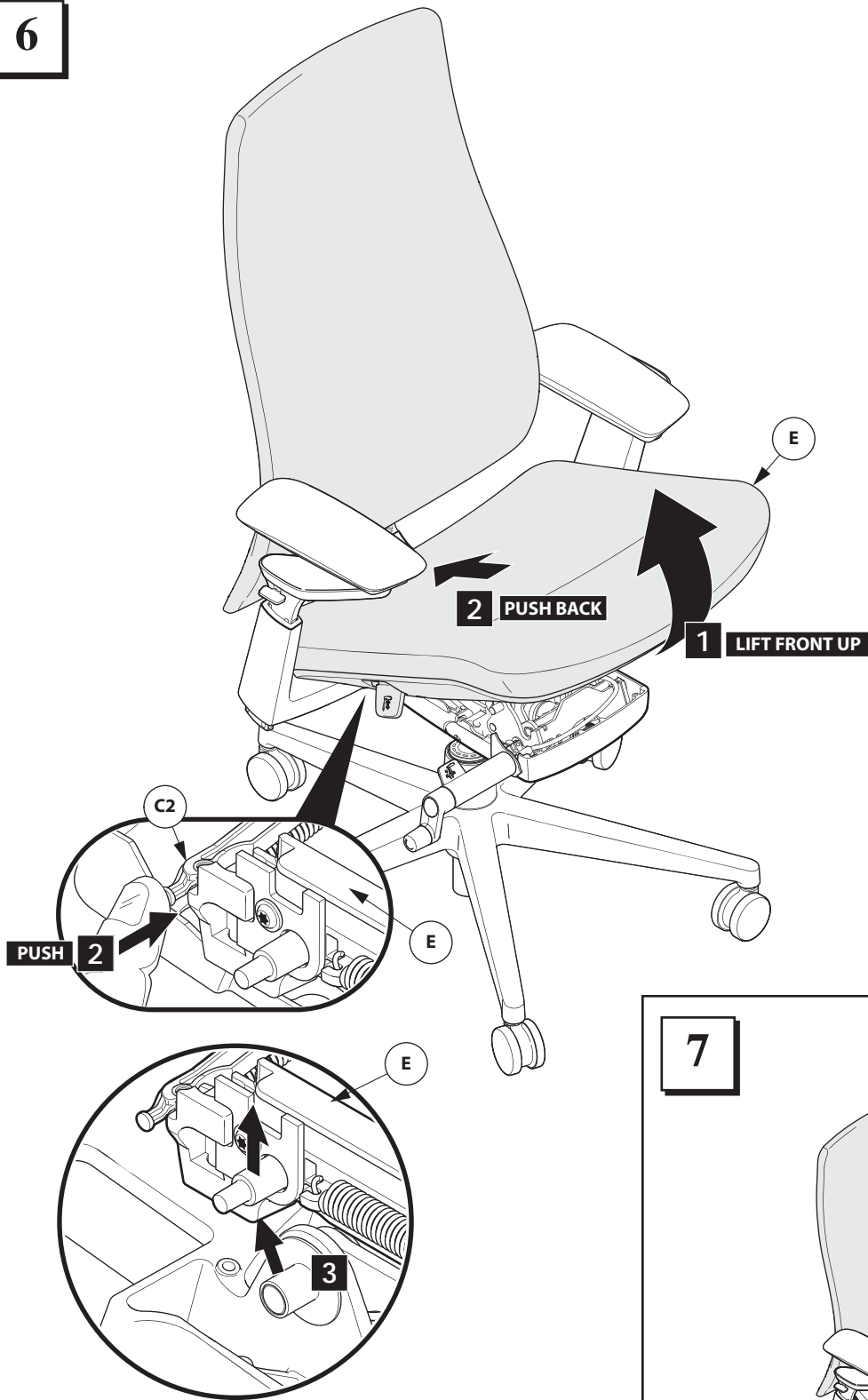
E.C.O. No: 50000008504

Page: 2 OF 6

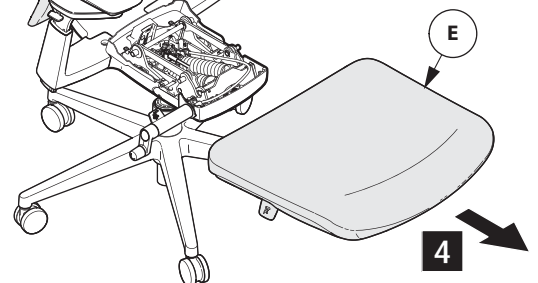
Part No: 7029-9976

Rev: 1

6



7



CUSTOMER SERVICE PHONE: 1-800-426-8562

**HAWORTH**<sup>®</sup>

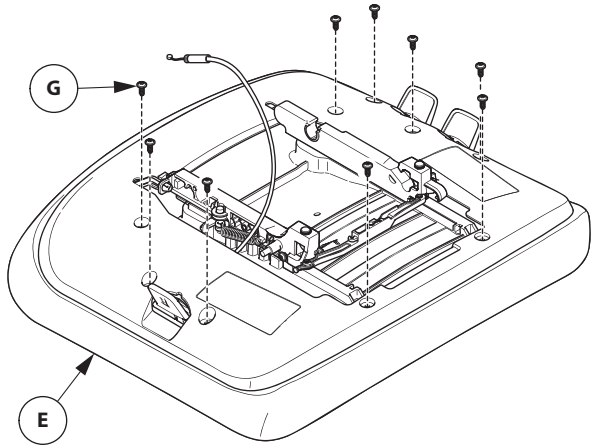
E.C.O. No: 50000008504

Page: 3 OF 6

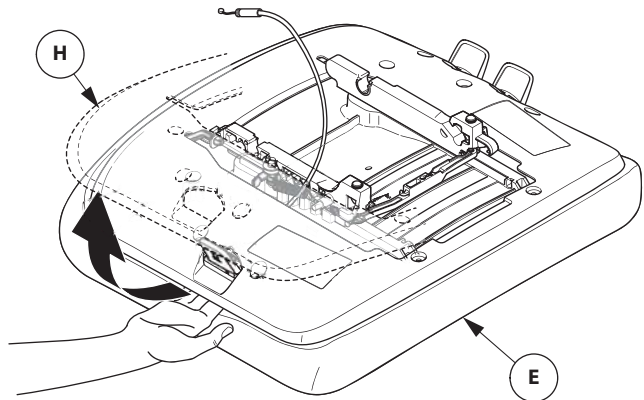
Part No: 7029-9976

Rev: 1

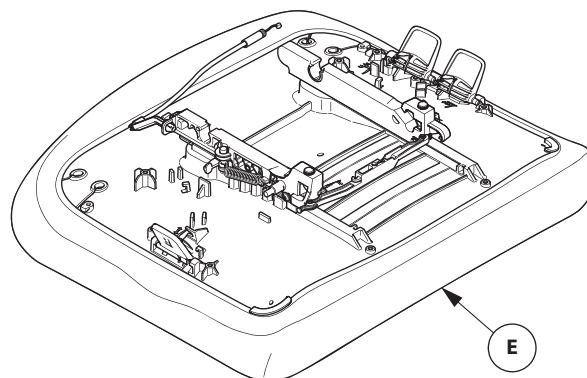
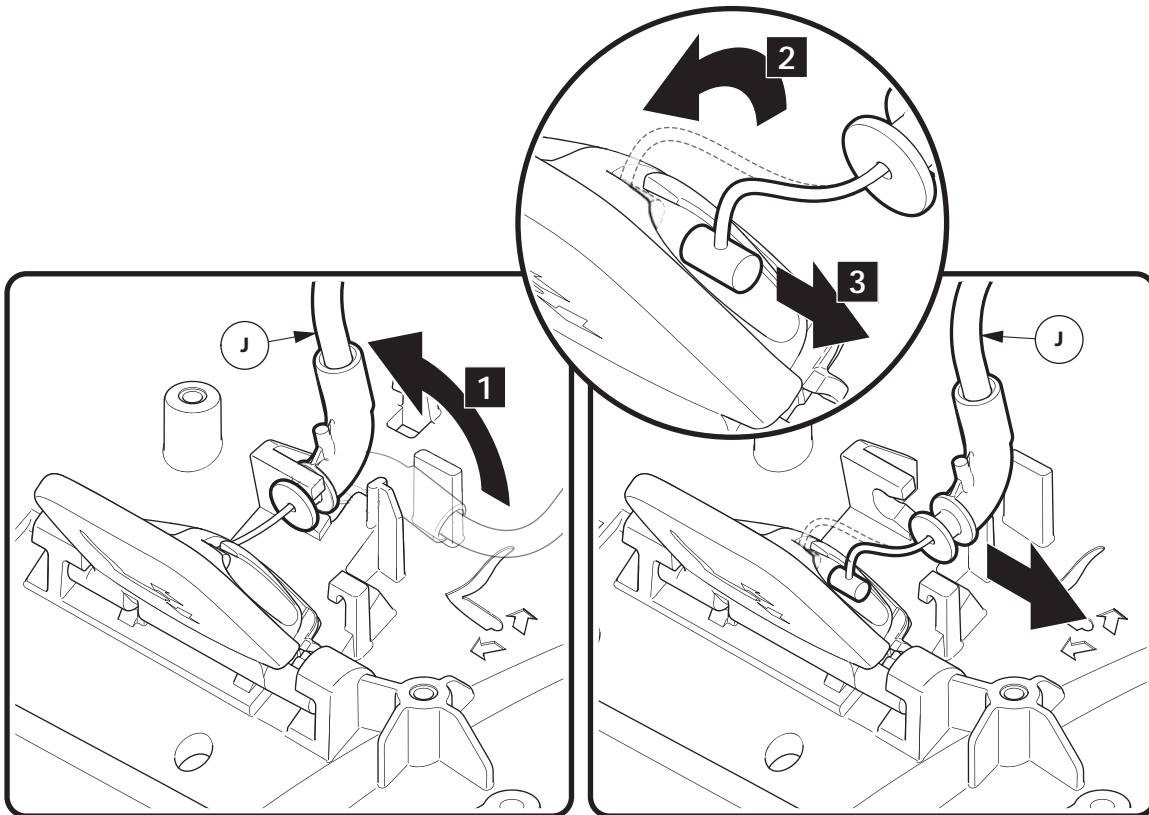
8



9



10



CUSTOMER SERVICE PHONE: 1-800-426-8562

**HAWORTH**

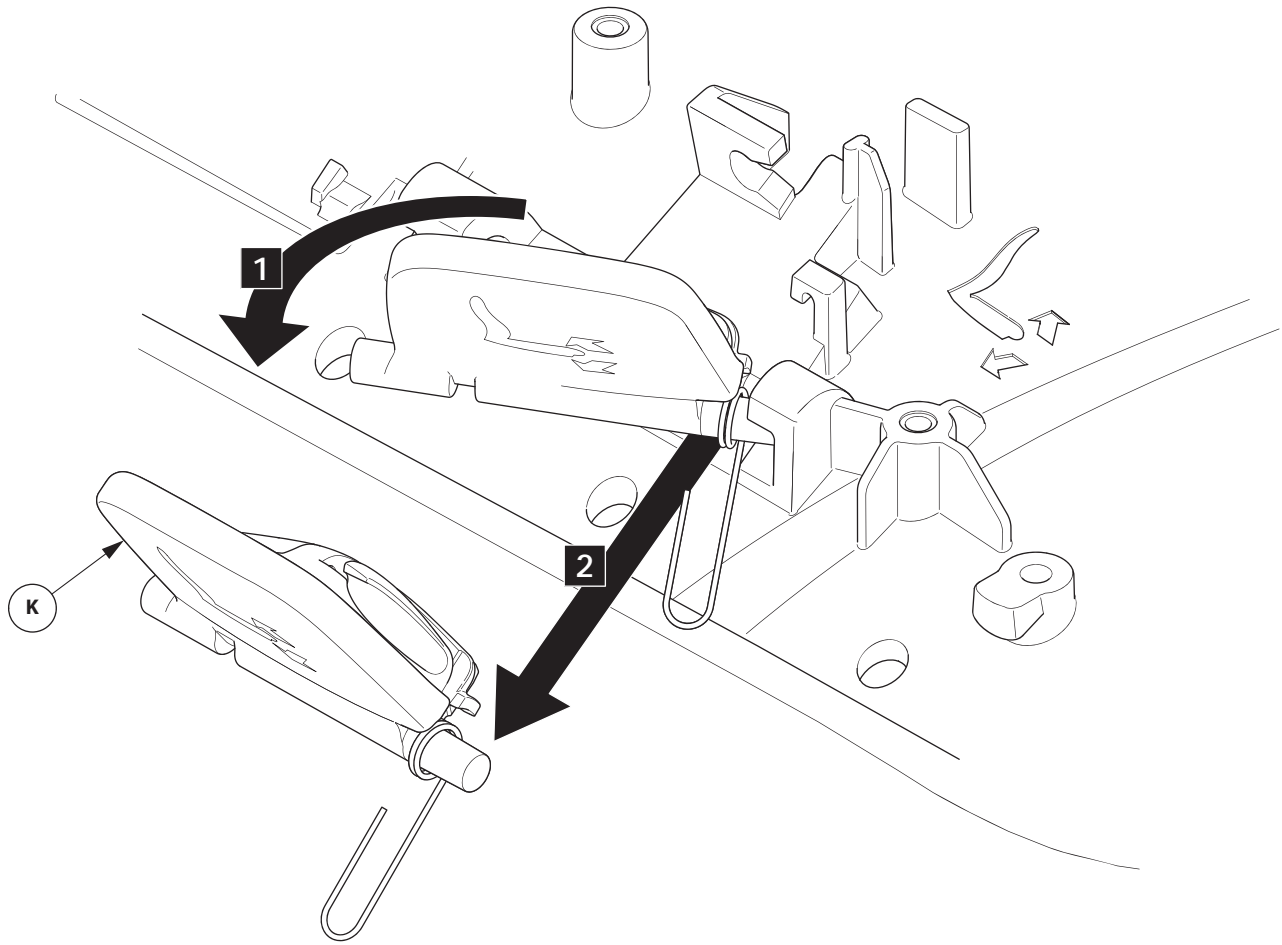
E.C.O. No: 50000008504

Page: 4 OF 6

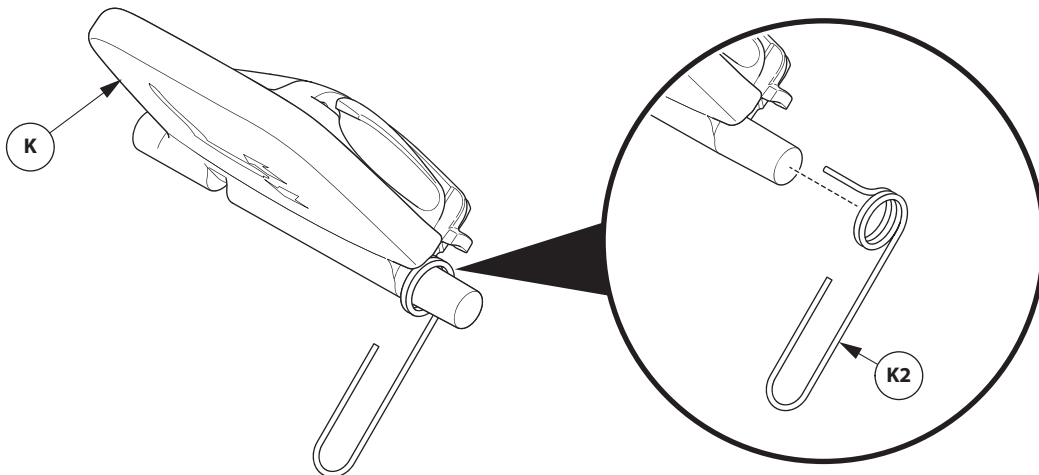
Part No: 7029-9976

Rev: 1

11



12



CUSTOMER SERVICE PHONE: 1-800-426-8562

**HAWORTH**<sup>®</sup>

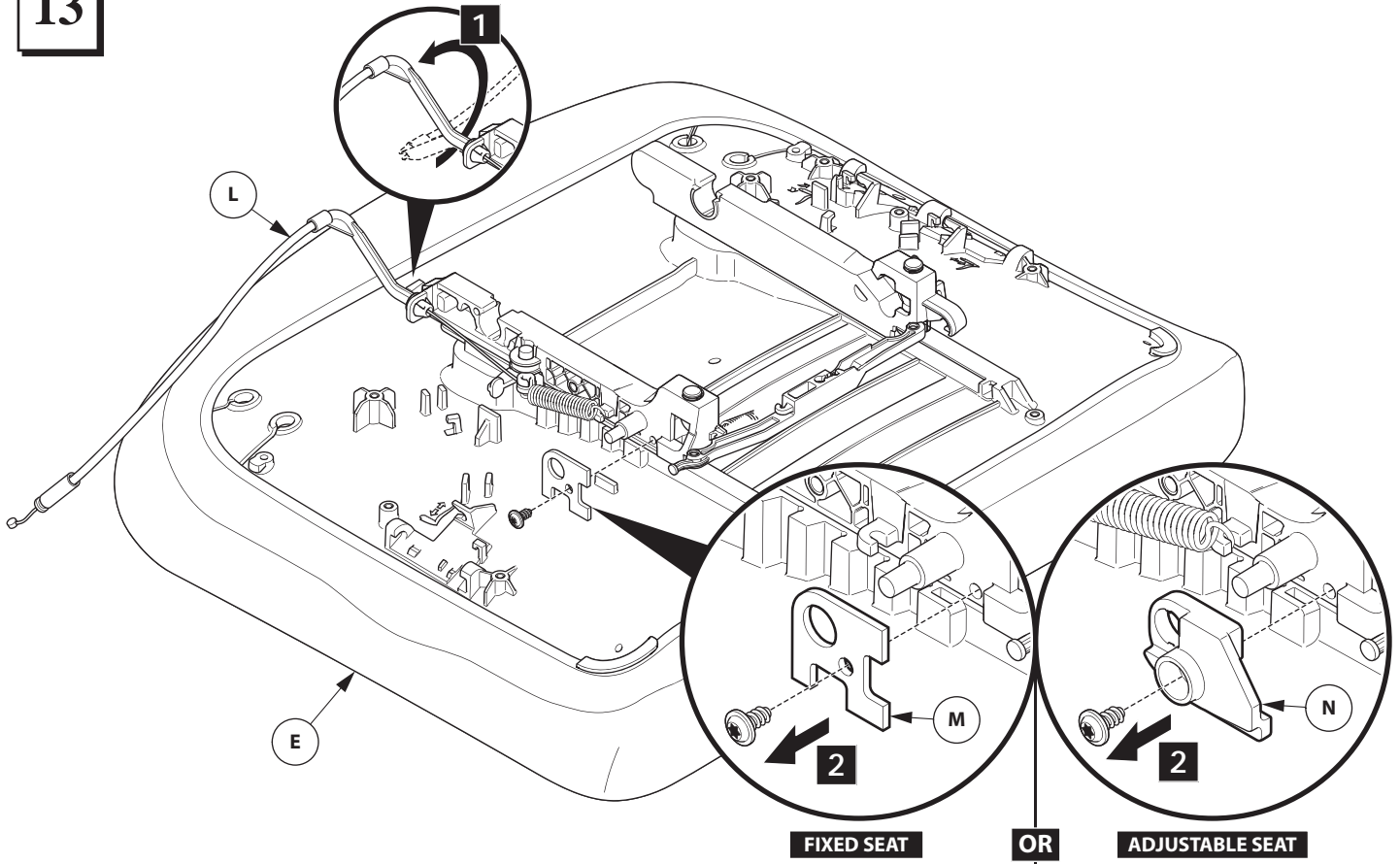
E.C.O. No: 50000008504

Page: 5 OF 6

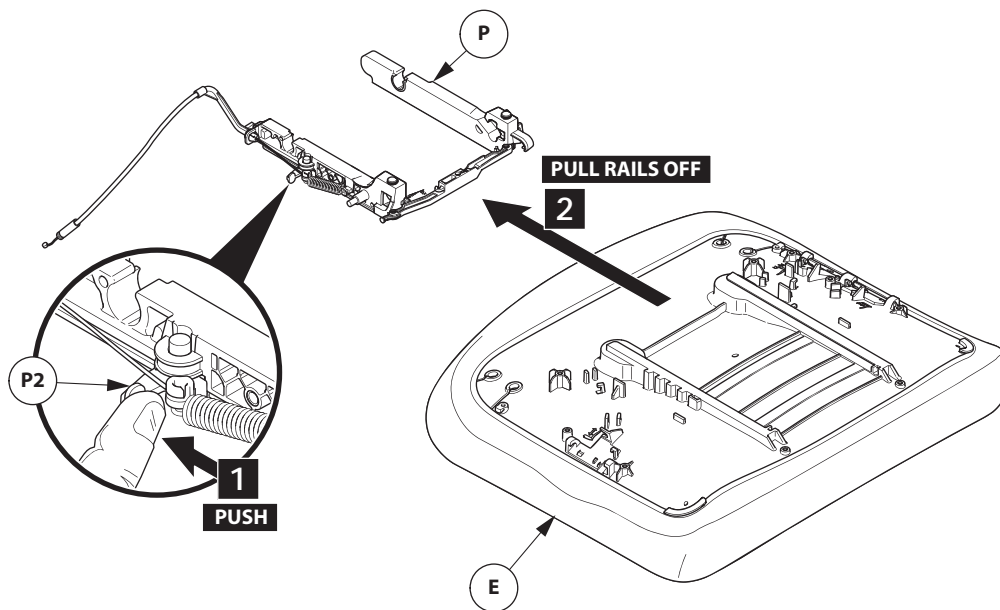
Part No: 7029-9976

Rev: 1

13



14



CUSTOMER SERVICE PHONE: 1-800-426-8562

**HAWORTH**

E.C.O. No: 50000008504

Page: 6 OF 6

Part No: 7029-9976

Rev: 1