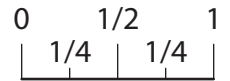
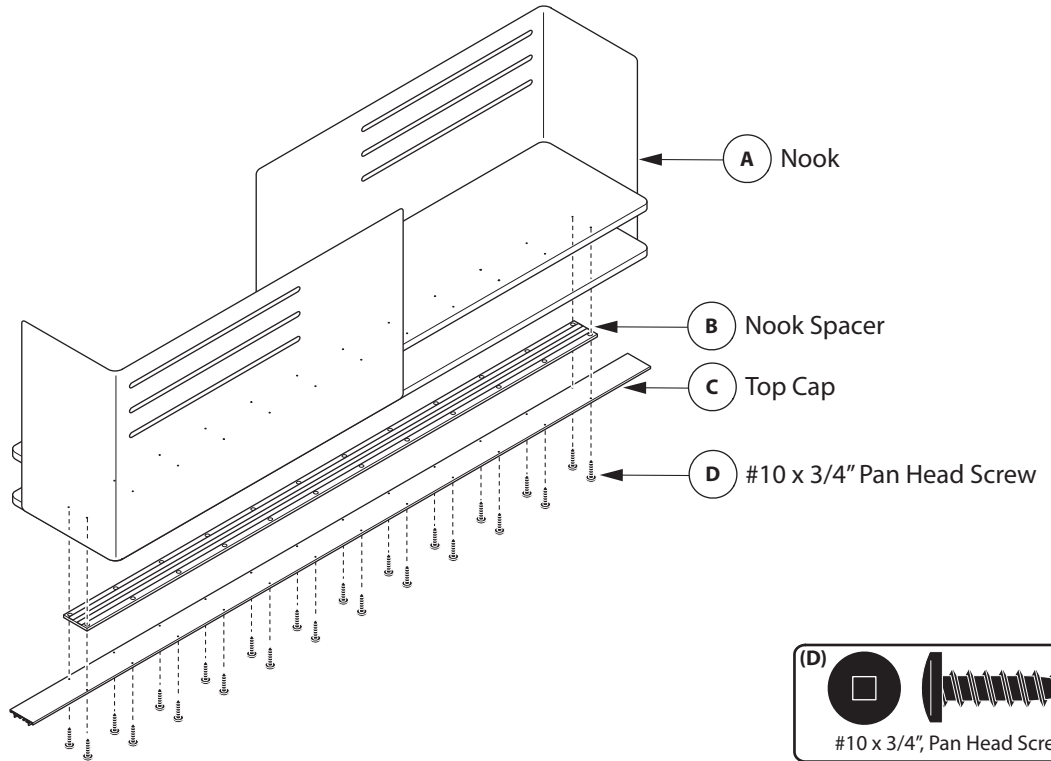


Active Components Nook Installation Instructions

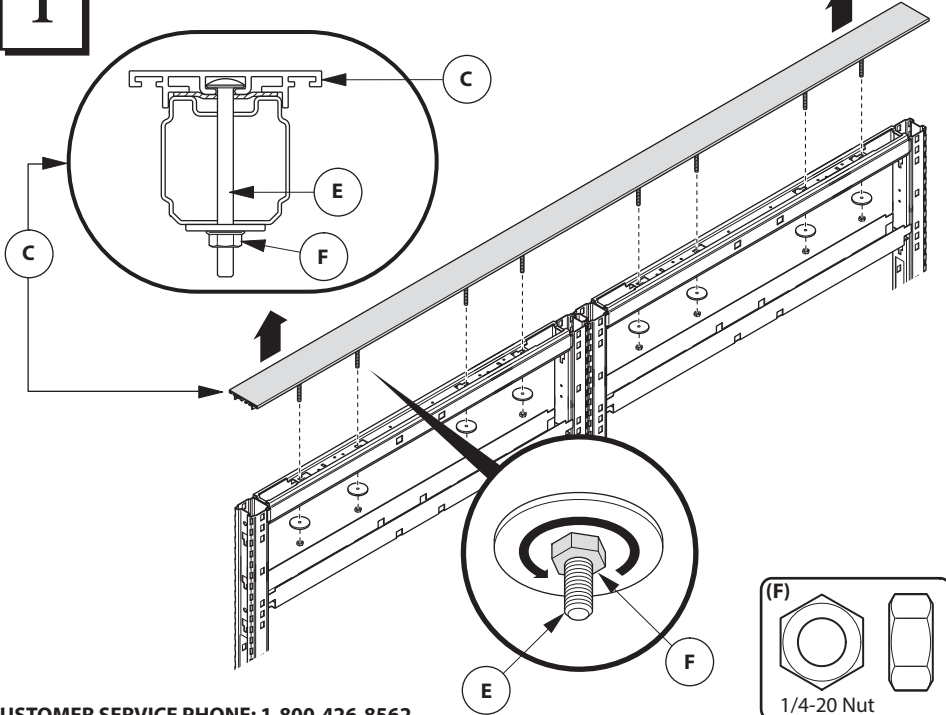


Scale 1 : 1

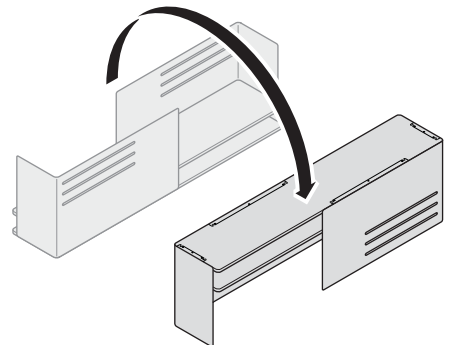
Tools Required



1 Remove panels from frames.

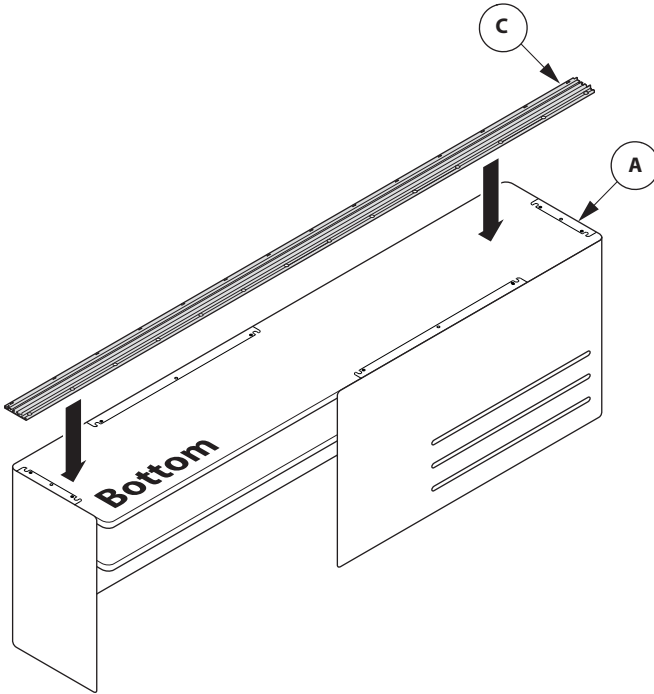


2

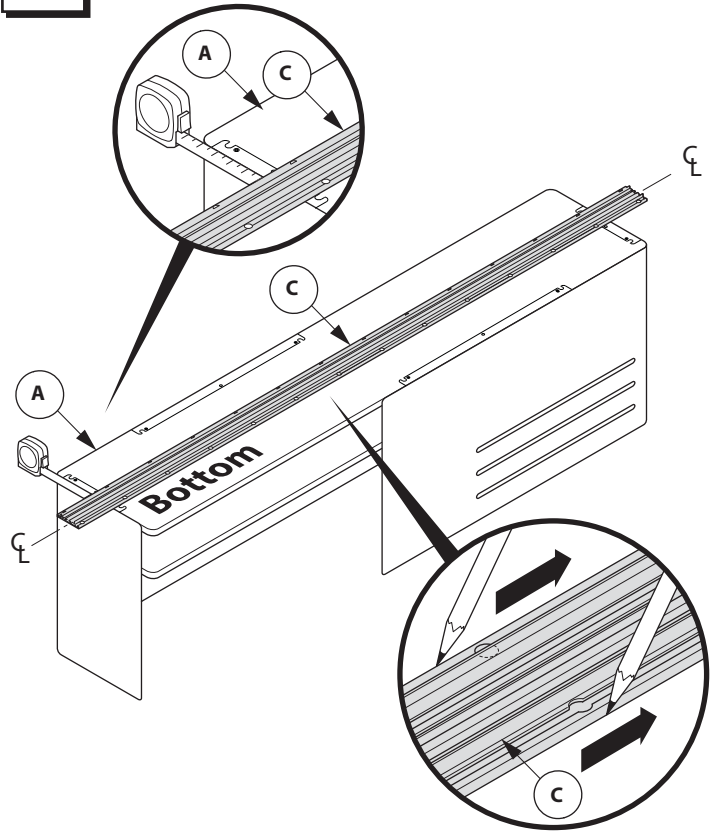


CUSTOMER SERVICE PHONE: 1-800-426-8562

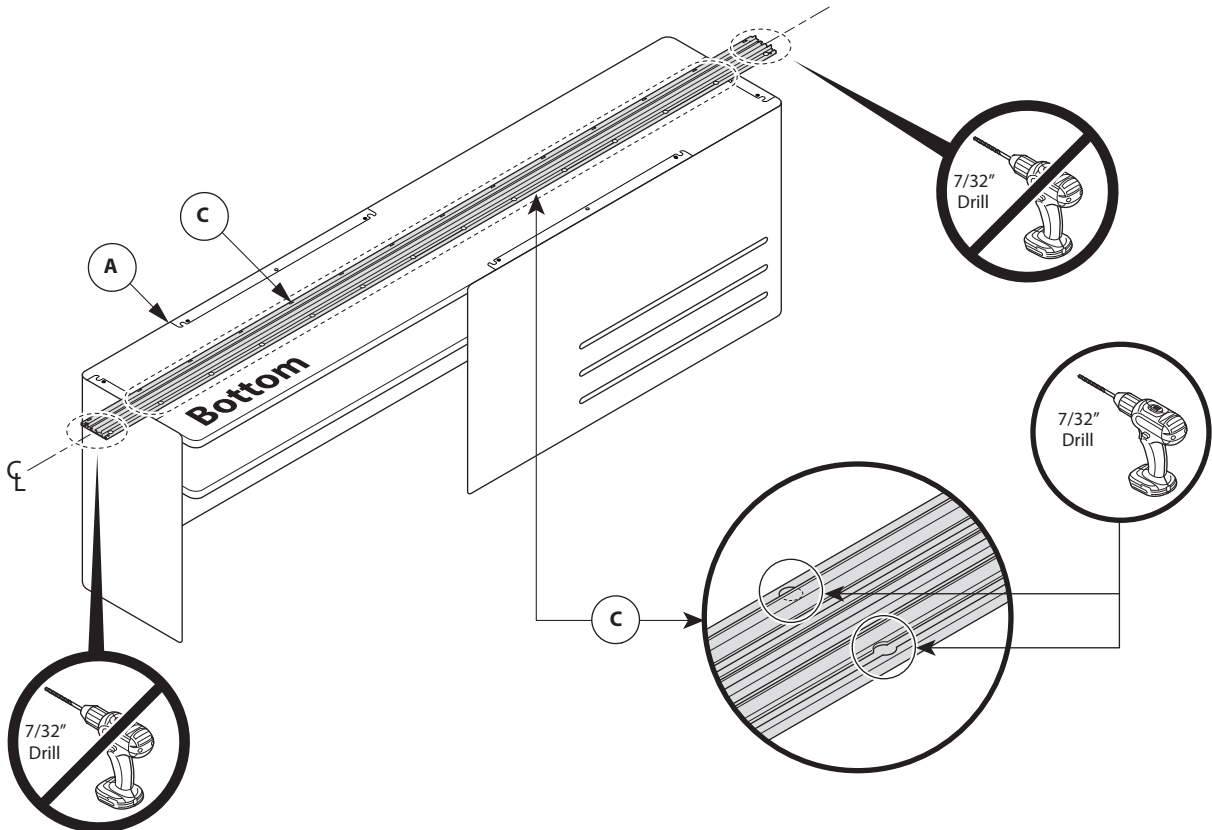
3 Place smooth side of top cap (C) onto nook (A).



4



5 NOTE: Remove top cap (C) from nook (A) BEFORE drilling holes. Drill from backside only. Holes to match nook.



CUSTOMER SERVICE PHONE: 1-800-426-8562

HAWORTH[®]

E.C.O. No: 254-425

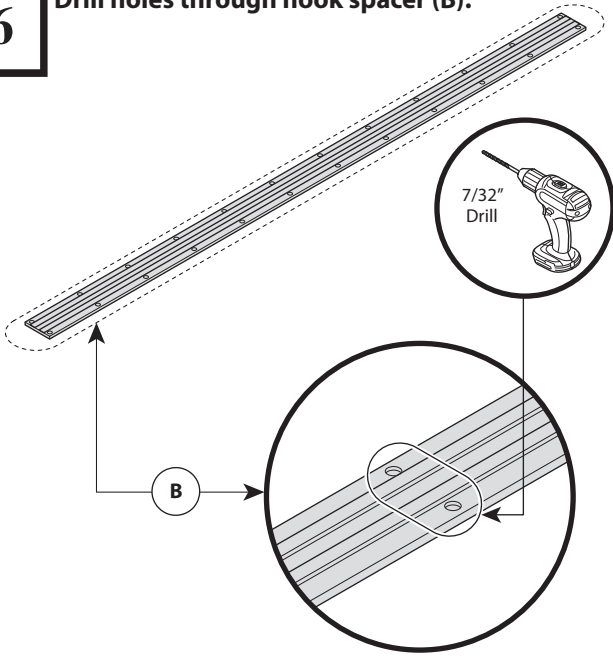
Page: 2 of 4

Part No: 6100-0001

Rev: 1

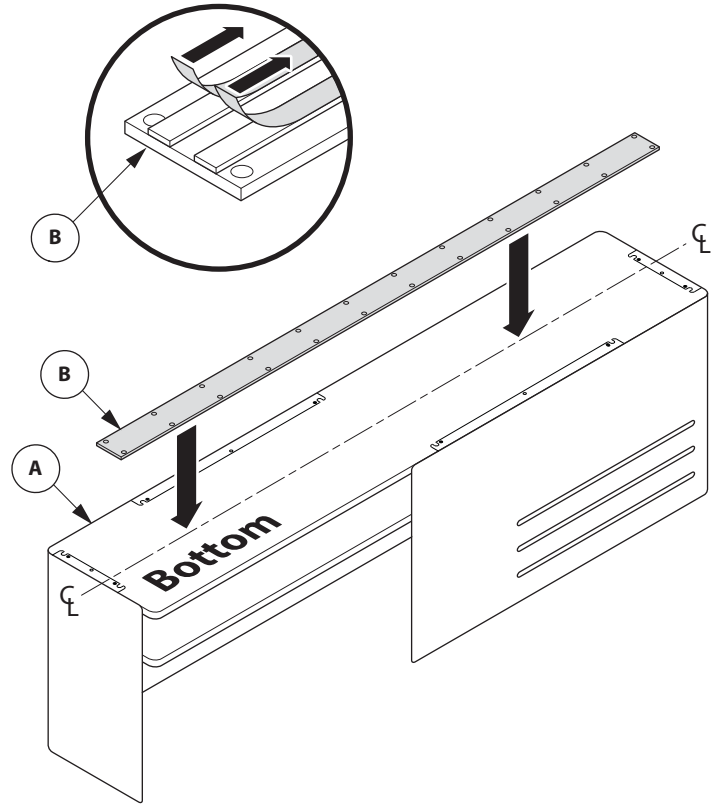
6

Drill holes through nook spacer (B).

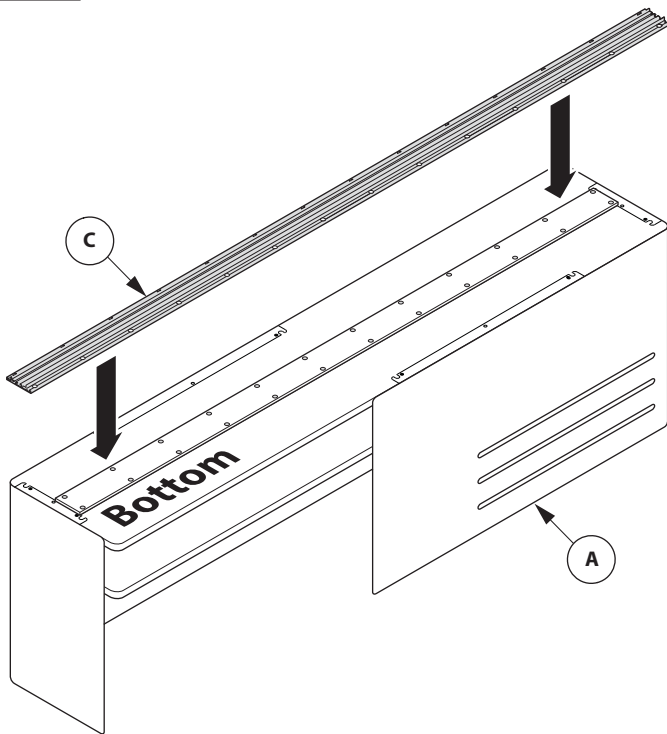


7

NOTE: Install the nook spacer (B) with the tape side to the bottom of the nook (A).

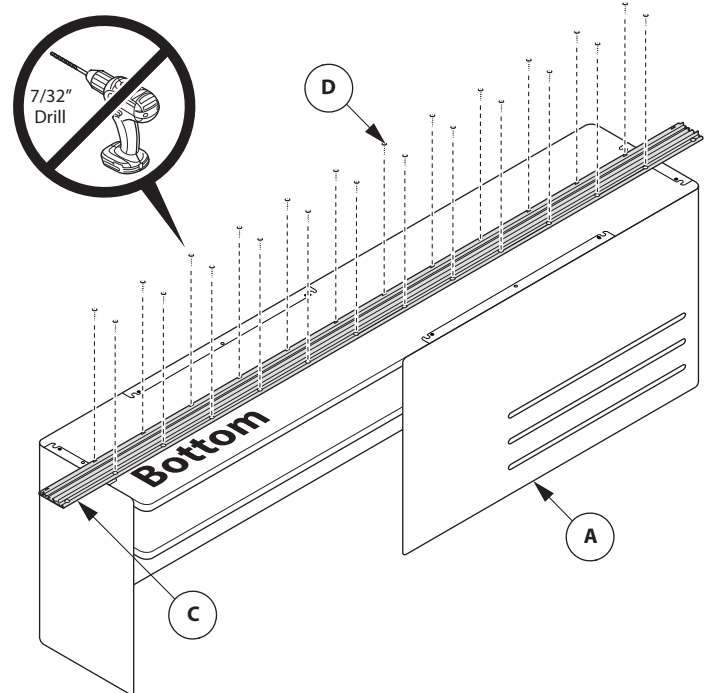


8



9

NOTE: DO NOT use power drill with screws. Hand-tighten screws using a Robinson #2 screwdriver.



CUSTOMER SERVICE PHONE: 1-800-426-8562

HAWORTH®

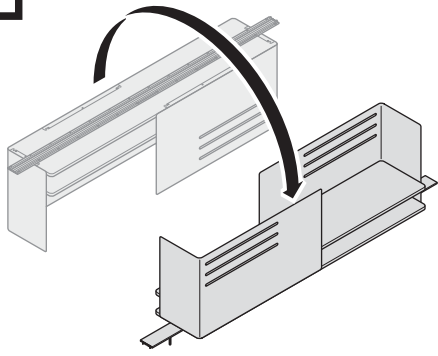
E.C.O. No: 254-425

Page: 3 of 4

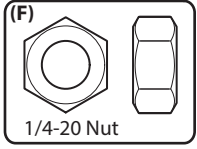
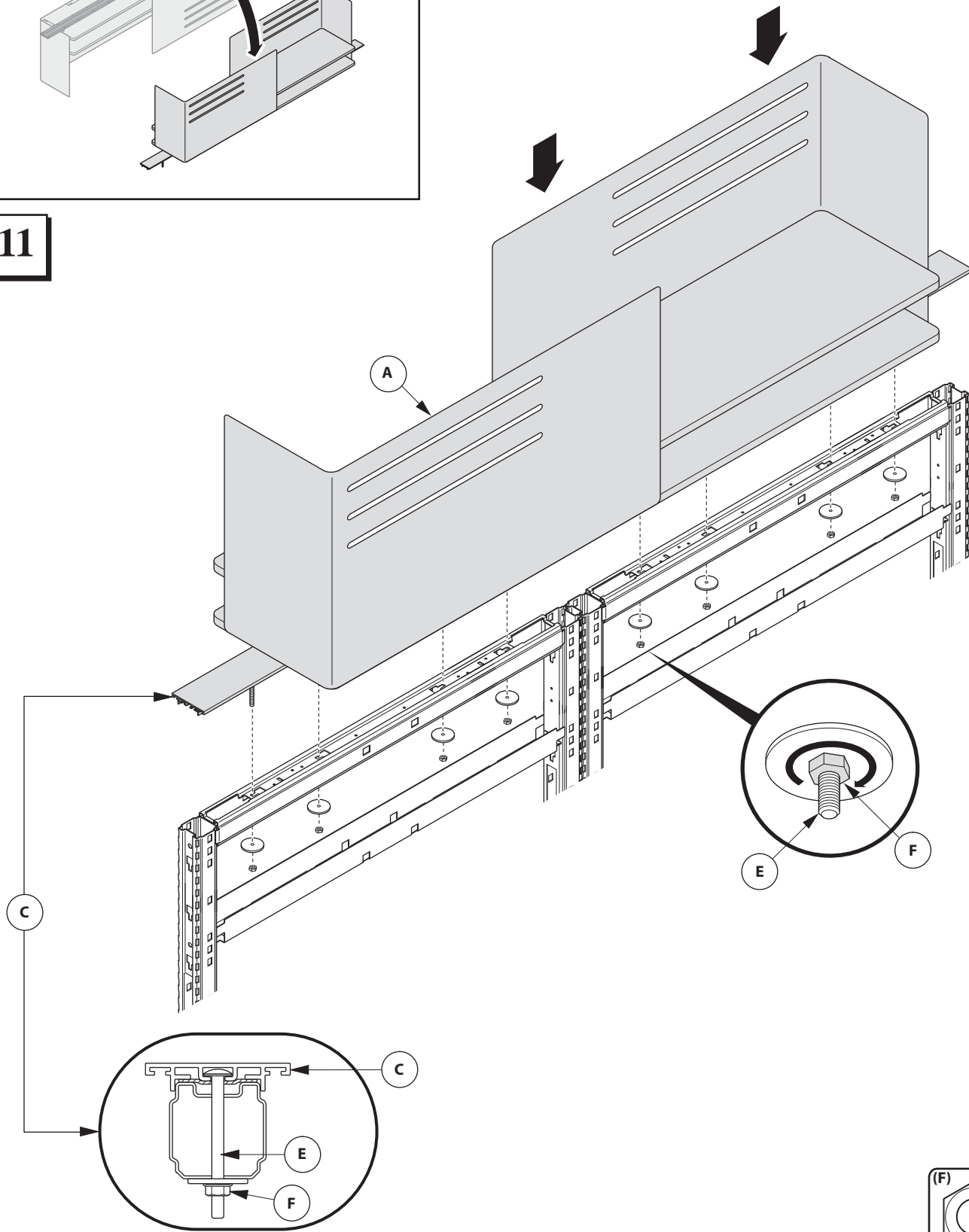
Part No: 6100-0001

Rev: 1

10



11



CUSTOMER SERVICE PHONE: 1-800-426-8562

HAWORTH®

E.C.O. No: 254-425

Page: 4 of 4

Part No: 6100-001

Rev: 1