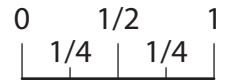
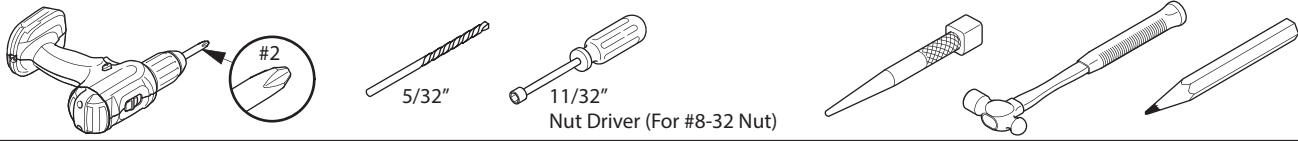


ACTIVE COMPONENTS®
Compose Tile Mounted Shelves
Installation Instructions

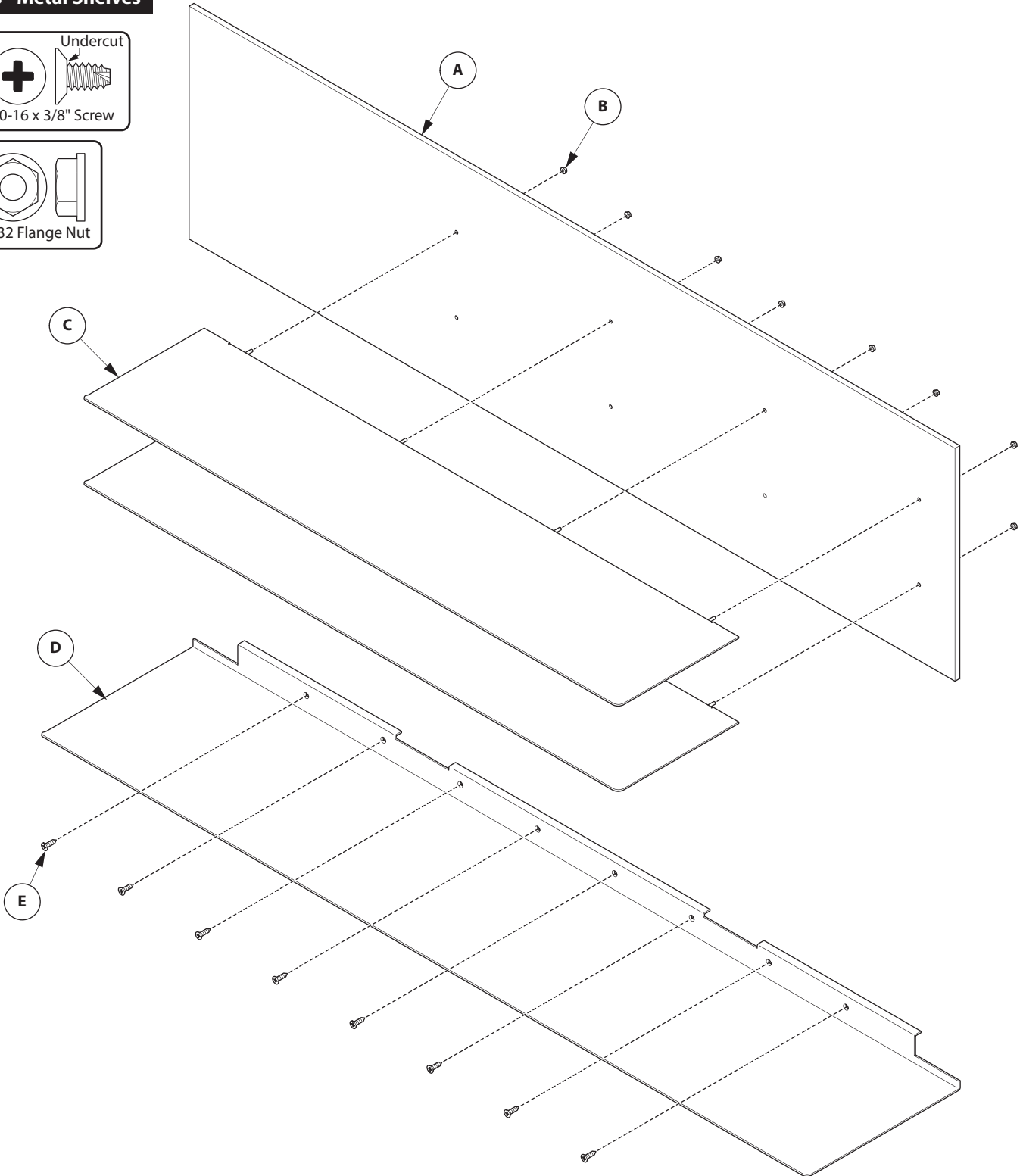
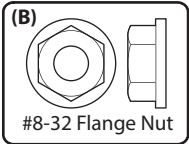
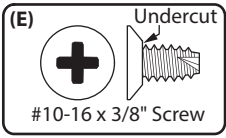


Scale 1 : 1

Tools Required



Parts - Metal Shelves



CUSTOMER SERVICE PHONE: 1-800-426-8562

HAWORTH®

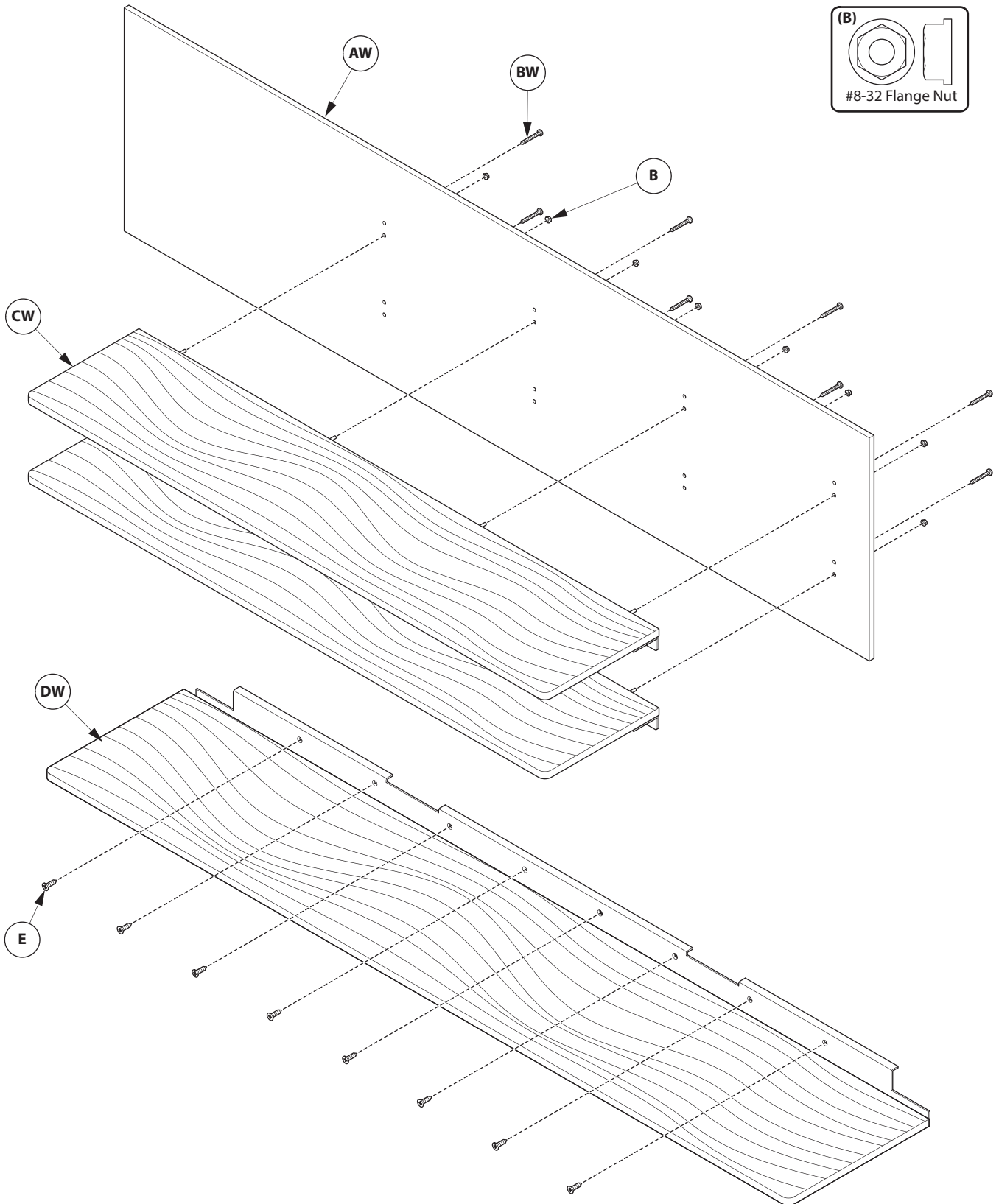
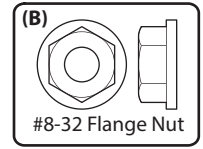
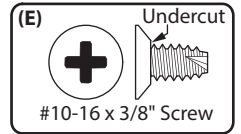
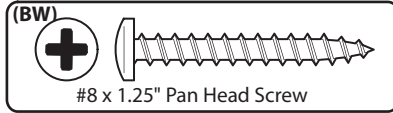
E.C.O. No: 420-150

Page: 1 of 5

Part No: 6100-0003

Rev: 1

Parts - Wood Shelves



CUSTOMER SERVICE PHONE: 1-800-426-8562

HAWORTH[®]

E.C.O. No: 420-150


Page: 2 of 5

Part No: 6100-0003

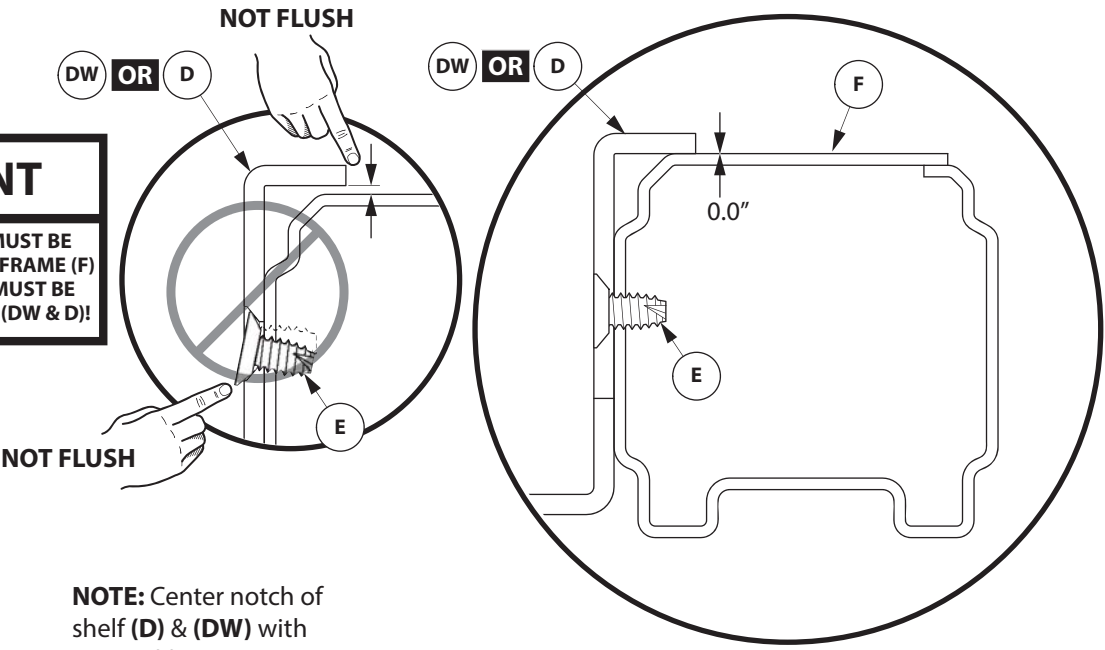
Rev: 1

1

IMPORTANT

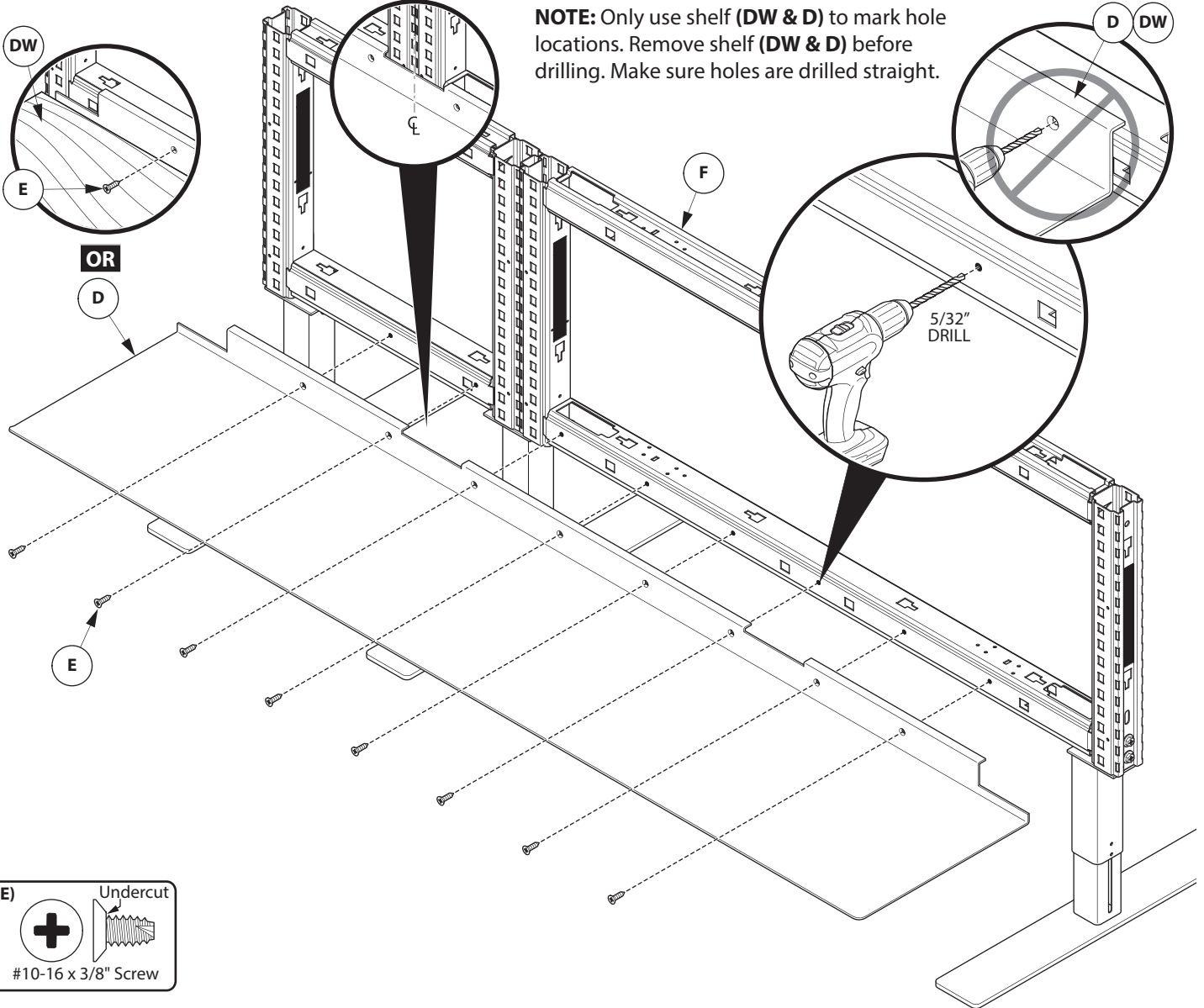


SHELF (DW & D) MUST BE FLUSH WITH PANEL FRAME (F) AND SCREWS (E) MUST BE FLUSH WITH SHELF (DW & D)!




NOTE: Center notch of shelf (D) & (DW) with seam of frame (F).

NOTE: Only use shelf (DW & D) to mark hole locations. Remove shelf (DW & D) before drilling. Make sure holes are drilled straight.



(E) Undercut

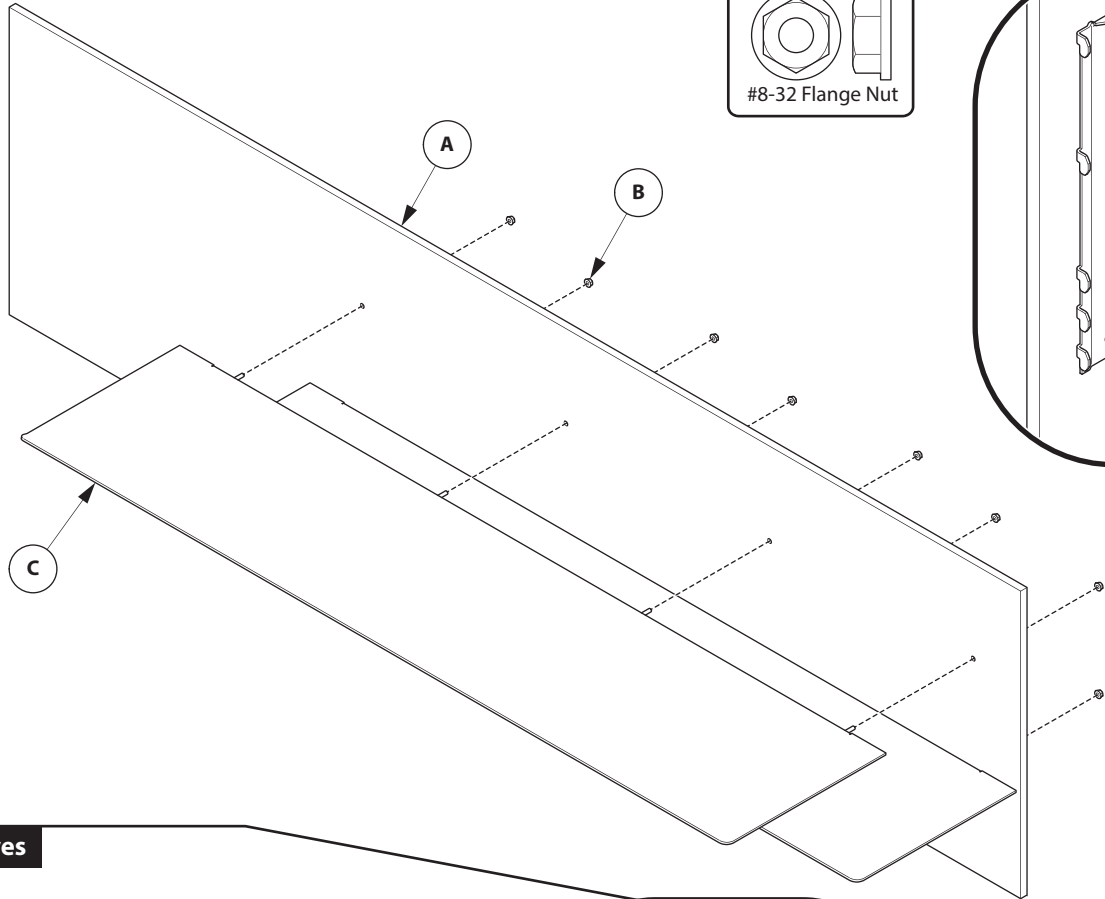


#10-16 x 3/8" Screw

CUSTOMER SERVICE PHONE: 1-800-426-8562

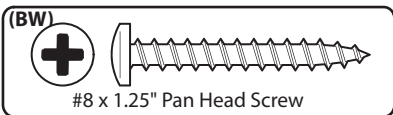
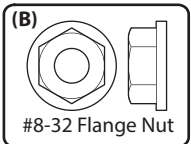
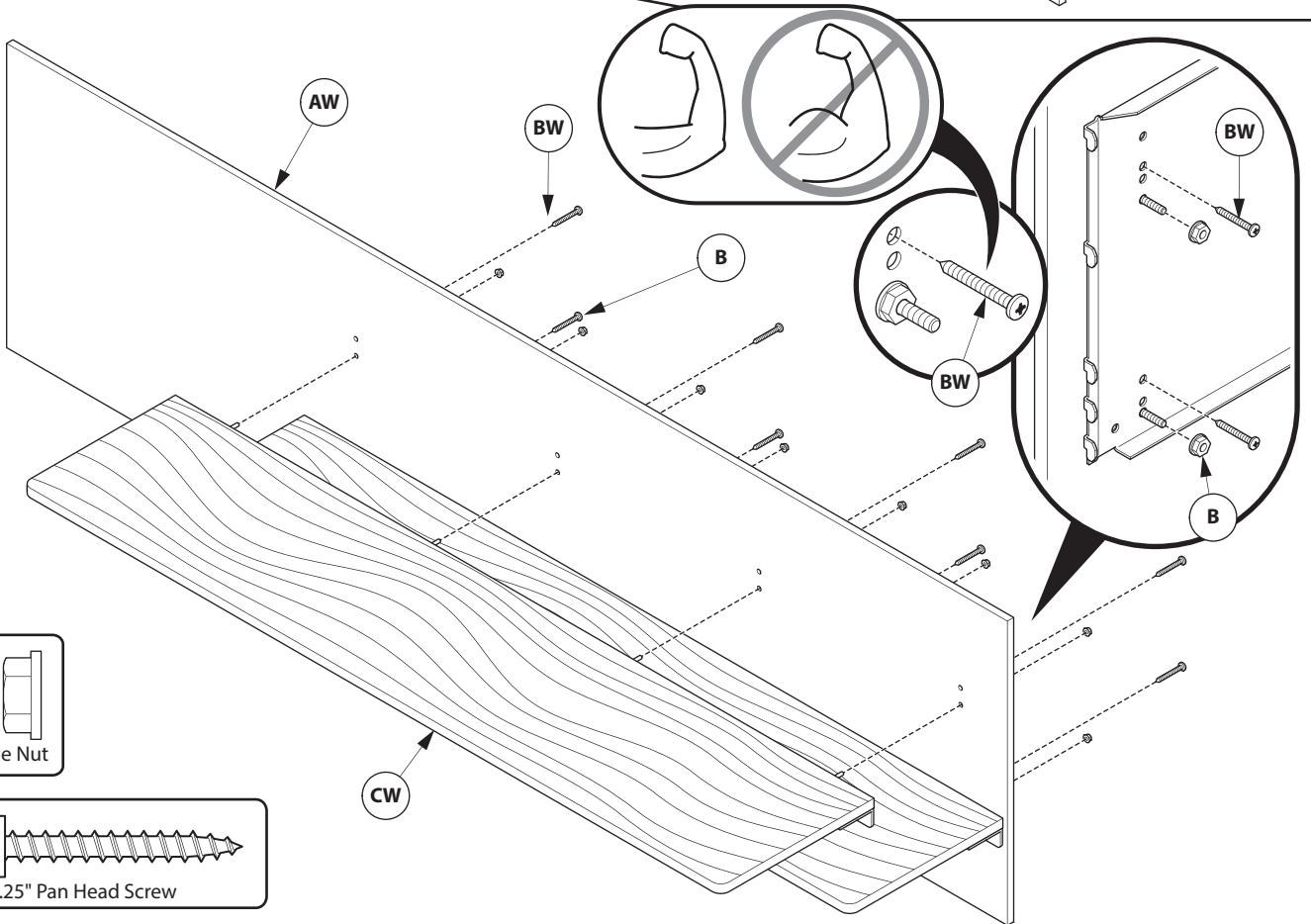
For Metal Shelves

2a



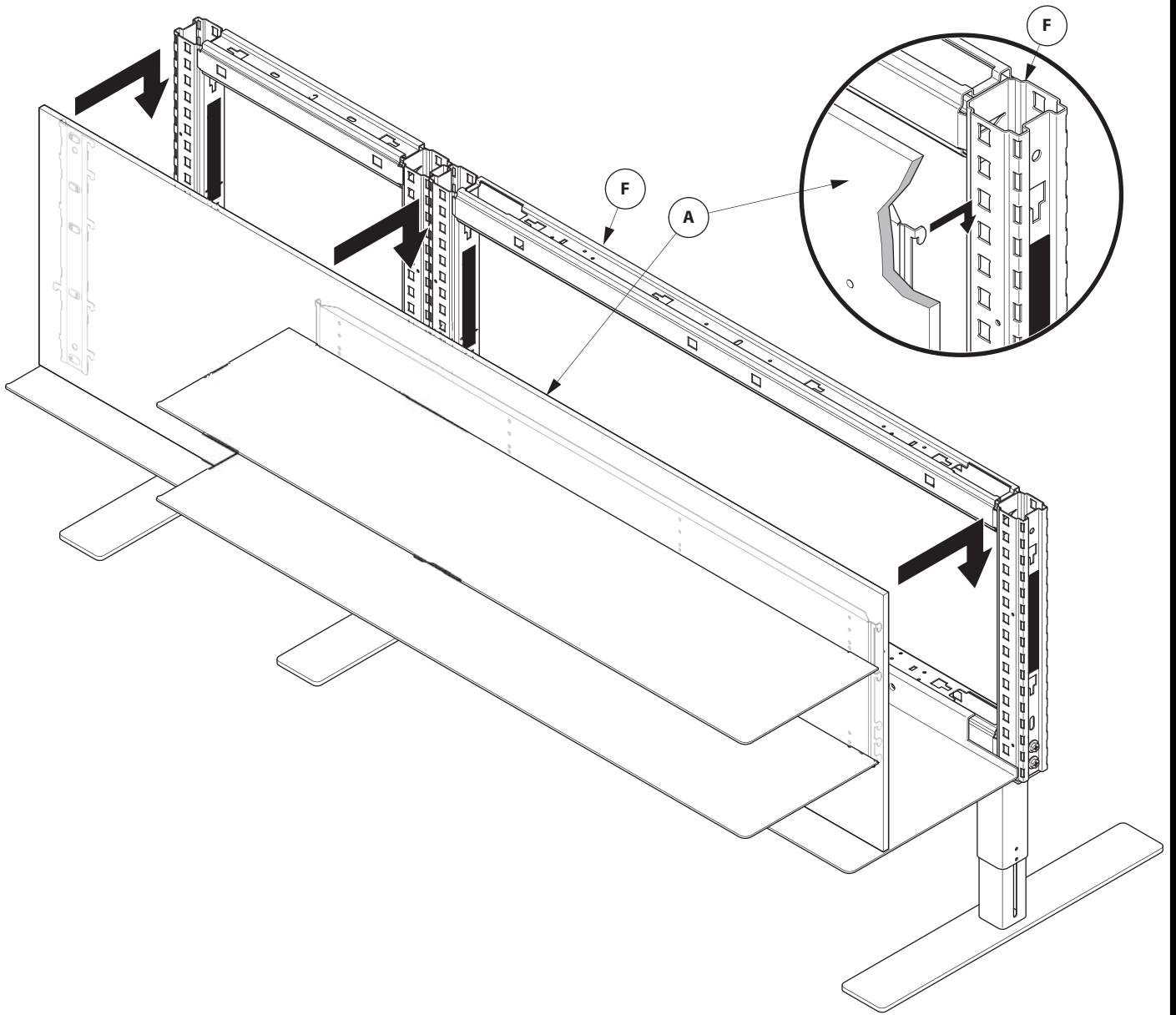
For Wood Shelves

2b



CUSTOMER SERVICE PHONE: 1-800-426-8562

3



CUSTOMER SERVICE PHONE: 1-800-426-8562

HAWORTH®

E.C.O. No: 420-150

Page: 5 of 5

Part No: 6100-0003

Rev: 1