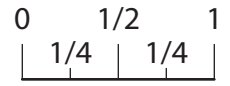


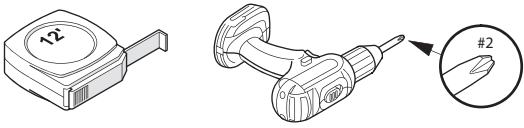
ACTIVE COMPONENTS®

Corner Screens
Installation Instructions

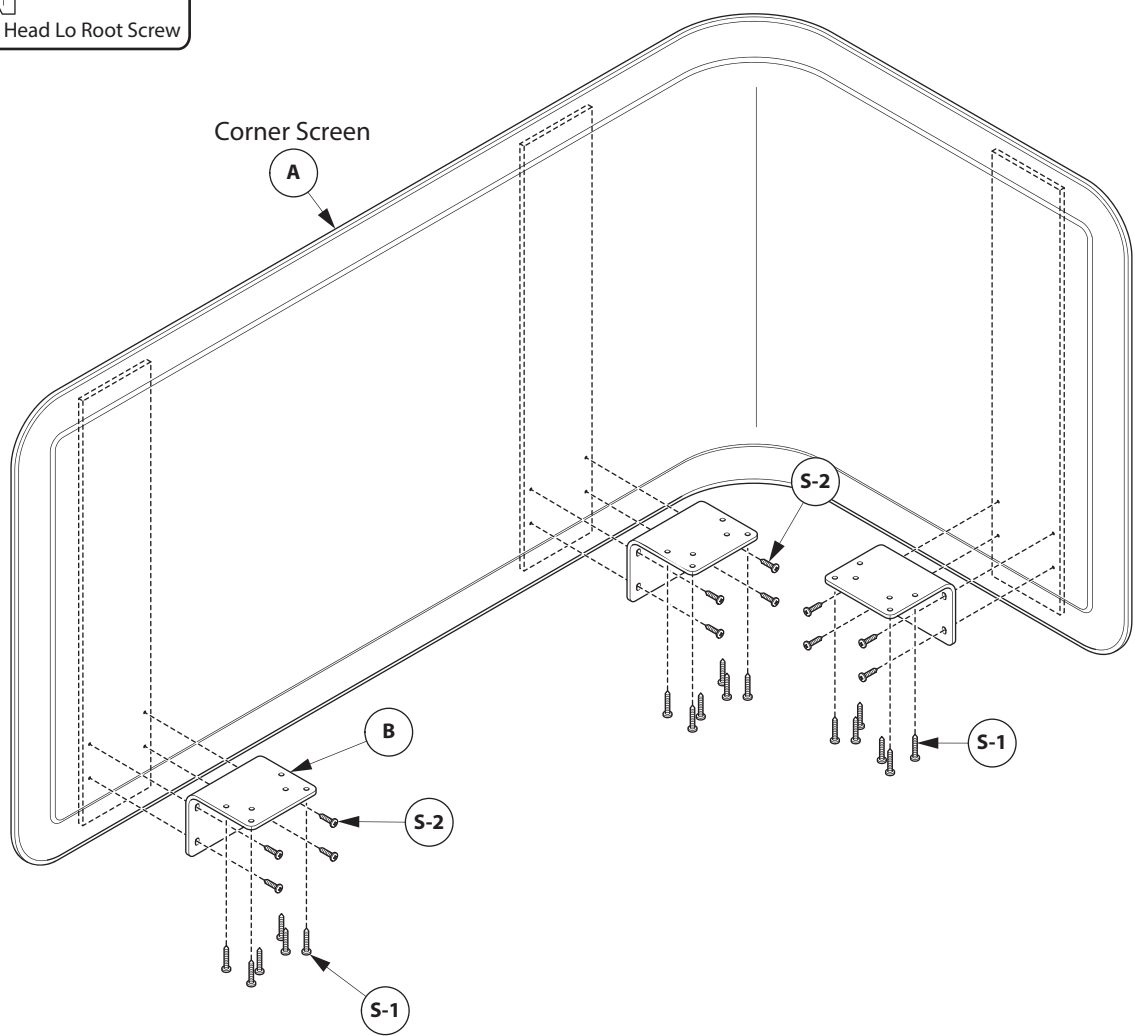
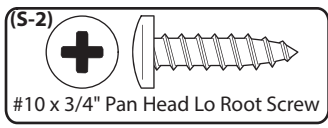
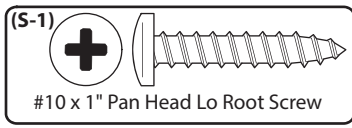


Scale 1 : 1

Tools Required

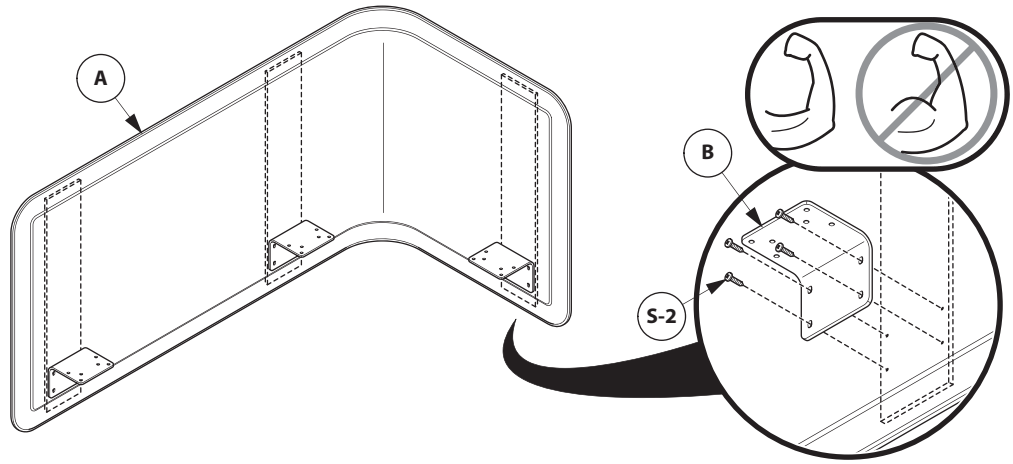
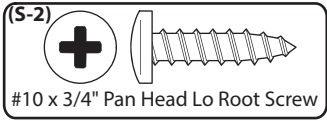


FOR 2 LEG TABLES

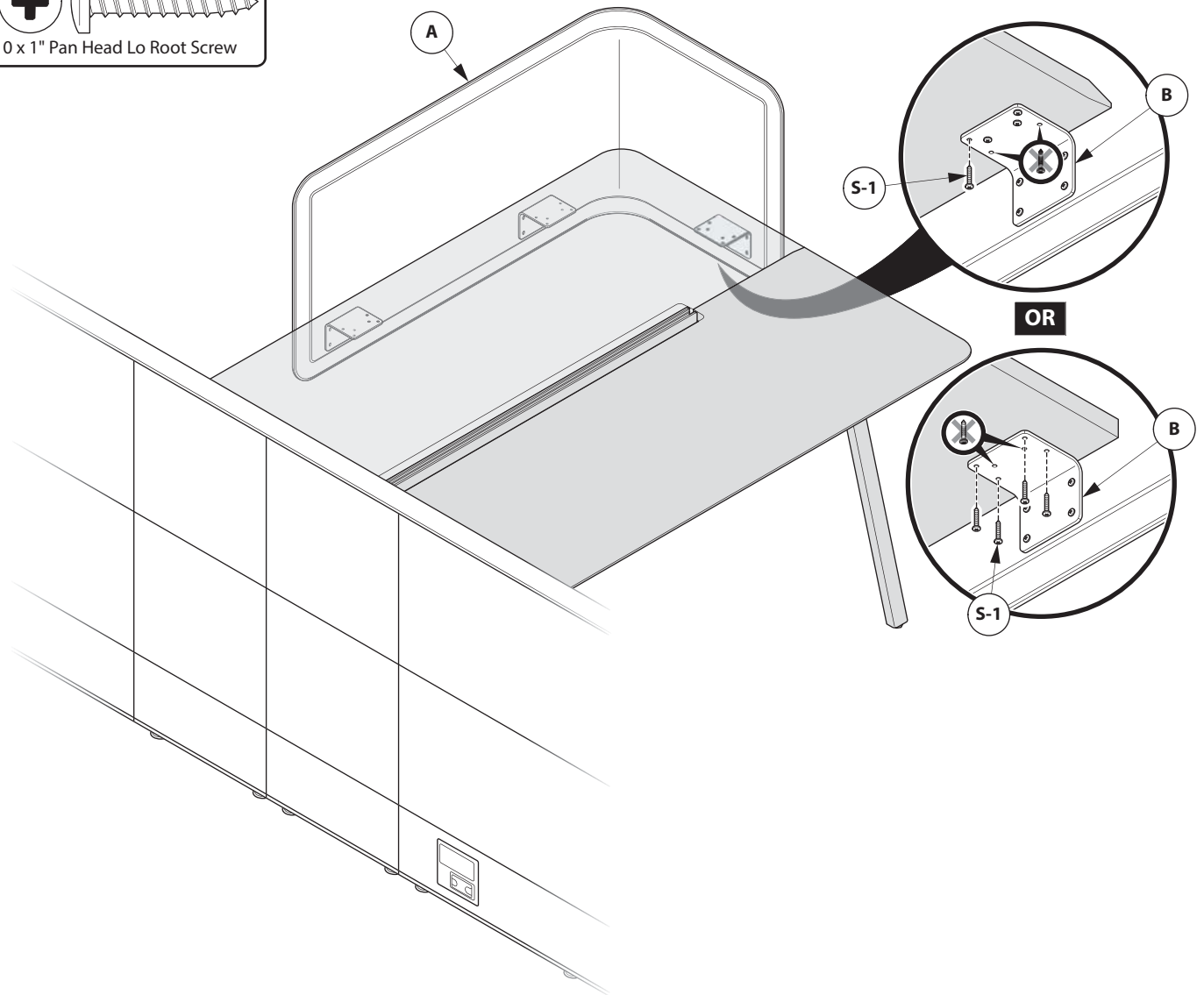
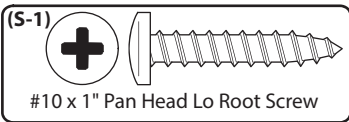


CUSTOMER SERVICE PHONE: 1-800-426-8562

1



2



CUSTOMER SERVICE PHONE: 1-800-426-8562

HAWORTH[®]

E.C.O. No: 245-593

Page: 2 of 2

Part No: 7029-9995

Rev: 2