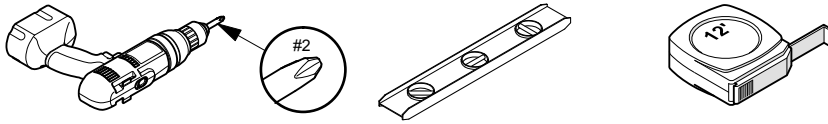
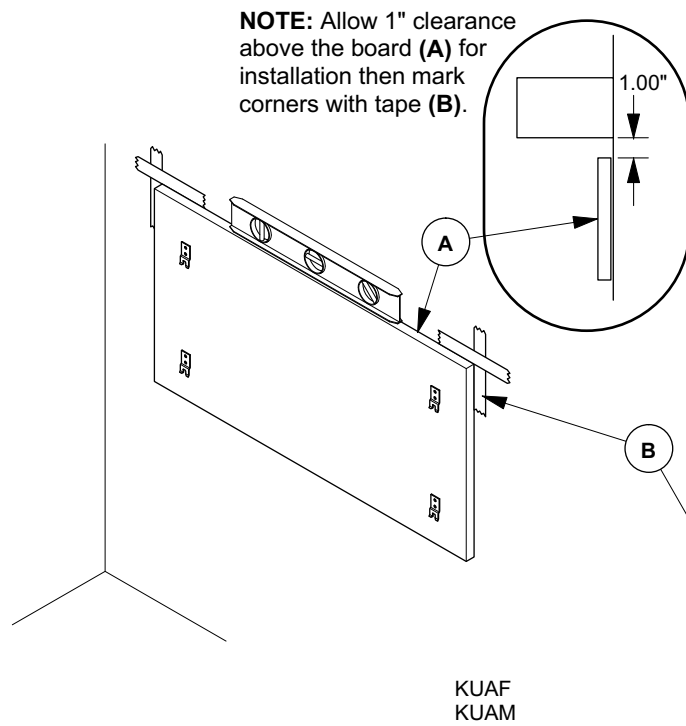


**ADAPTABLE**  
**Adaptable Wall Mount Tackboard/Markerboard**  
Installation Instructions

**Tools Required**

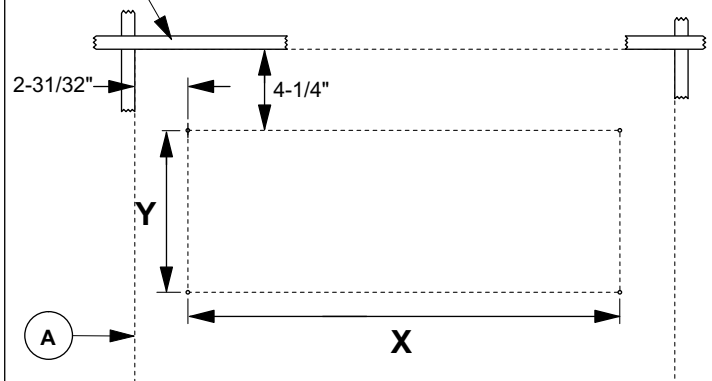


**1** Locate board (A) on wall



**2** Determine location of screws (C)

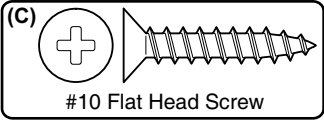
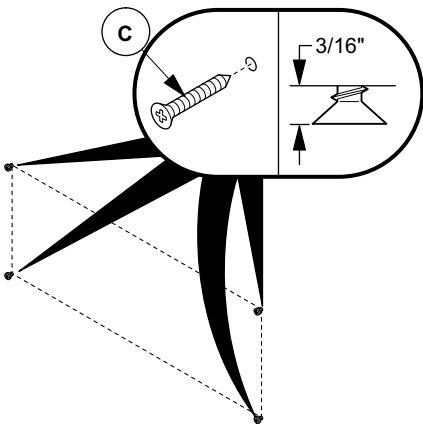
Nominal Tackboard Size	X	Y
16 x 24	18.00	9.00
16 x 30	24.00	9.00
16 x 36	30.00	9.00
16 x 40	34.00	9.00
16 x 42	36.00	9.00
16 x 48	42.00	9.00
16 x 60	54.00	9.00
24 x 24	18.00	17.00
24 x 30	24.00	17.00
24 x 36	30.00	17.00
24 x 40	34.00	17.00
24 x 42	36.00	17.00
24 x 48	42.00	17.00
24 x 60	54.00	17.00
32 x 24	18.00	25.00
32 x 30	24.00	25.00
32 x 36	30.00	25.00
32 x 40	34.00	25.00
32 x 42	36.00	25.00
32 x 48	42.00	25.00
32 x 60	54.00	25.00



CUSTOMER SERVICE PHONE: 1-800-426-8562

### 3 Install screws (C)

**NOTE:** Due to varying wall construction, flathead fasteners and anchors are not included and must be field supplied.



### 4 Install board (A)

